



Temperature monitoring relay Pt100, thermocouple J, K 1 threshold value, width 22.5 mm Overshoot and undershoot 24 V AC/DC 1 change-over contact, quiescent current principle Spring-type terminal (push-in)

Figure similar

<b>product brand name</b>	SIRIUS
<b>product designation</b>	Temperature monitoring relay
<b>design of the product</b>	Analog multifunction device, 1 sensor, 1 threshold value
<b>product type designation</b>	3RS2
<b>General technical data</b>	
<b>product function</b>	temperature monitoring
<b>display version LED</b>	Yes
insulation voltage for overvoltage category III according to IEC 60664 with degree of pollution 3 rated value	300 V
<b>test voltage for isolation test</b>	4 kV
<b>degree of pollution</b>	3
<b>protection class IP</b>	20
<b>shock resistance according to IEC 60068-2-27</b>	11g / 15 ms
<b>mechanical service life (operating cycles) typical</b>	10 000 000
<b>electrical endurance (operating cycles) at AC-15 at 230 V typical</b>	100 000
<b>thermal current of the switching element with contacts maximum</b>	5 A
certificate of suitability relating to ATEX	no
<b>reference code according to IEC 81346-2</b>	K
<b>influence of the surrounding temperature</b>	0.05% per K deviation from T20
<b>measurable temperature</b>	
• initial value	-50 °C
• full-scale value	1 000 °C
<b>Substance Prohibittance (Date)</b>	05/01/2012
<b>SVHC substance name</b>	Blei - 7439-92-1 Bleimonoxid (Bleioxid) - 1317-36-8
<b>product function</b>	
• error memory	No
• external reset	No
<b>design of the sensor connectable</b>	Resistance sensors: Pt100 Thermocouples: Type J, K
<b>Control circuit/ Control</b>	
<b>type of voltage of the control supply voltage</b>	AC/DC
<b>control supply voltage at AC</b>	
• at 50 Hz rated value	24 ... 24 V
• at 60 Hz rated value	24 ... 24 V
<b>control supply voltage 1 at AC</b>	
• at 50 Hz rated value	24 V
• at 50 Hz	24 ... 24 V
• at 60 Hz rated value	24 V

<ul style="list-style-type: none"> <li>• at 60 Hz</li> </ul>	24 ... 24 V
<b>control supply voltage 2 at AC</b>	
<ul style="list-style-type: none"> <li>• at 50 Hz rated value</li> </ul>	24 V
<ul style="list-style-type: none"> <li>• at 60 Hz rated value</li> </ul>	24 V
control supply voltage at DC rated value	24 ... 24 V
<b>control supply voltage 1</b>	
<ul style="list-style-type: none"> <li>• at DC rated value</li> </ul>	24 V
<ul style="list-style-type: none"> <li>• at DC</li> </ul>	24 ... 24 V
<b>operating range factor control supply voltage rated value at DC</b>	
<ul style="list-style-type: none"> <li>• initial value</li> </ul>	0.85
<ul style="list-style-type: none"> <li>• full-scale value</li> </ul>	1.1
<b>operating range factor control supply voltage rated value at AC at 50 Hz</b>	
<ul style="list-style-type: none"> <li>• initial value</li> </ul>	0.85
<ul style="list-style-type: none"> <li>• full-scale value</li> </ul>	1.1
<b>operating range factor control supply voltage rated value at AC at 60 Hz</b>	
<ul style="list-style-type: none"> <li>• initial value</li> </ul>	0.85
<ul style="list-style-type: none"> <li>• full-scale value</li> </ul>	1.1
supply voltage frequency for auxiliary and control circuit	50 ... 60 Hz
<b>number of measuring circuits</b>	1
<b>buffering time in the event of power failure minimum</b>	20 ms
<b>Precision</b>	
<b>relative metering precision</b>	5 %
<b>Short-circuit protection</b>	
<b>design of the fuse link</b>	
<ul style="list-style-type: none"> <li>• for short-circuit protection of the NO contacts of the relay outputs required</li> </ul>	gL/gG: 6 A or MCB type C: 1 A
<ul style="list-style-type: none"> <li>• for short circuit protection of the NC contacts of the relay outputs required</li> </ul>	gL/gG: 6 A or MCB type C: 1 A
<b>design of the fuse link</b>	
<ul style="list-style-type: none"> <li>• for short-circuit protection of the NO contacts of the relay outputs safety-related required</li> </ul>	gL/gG: 2 A or MCB type C: 1 A
<ul style="list-style-type: none"> <li>• for short circuit protection of the NC contacts of the relay outputs safety-related required</li> </ul>	gL/gG: 2 A or MCB type C: 1 A
<b>Communication/ Protocol</b>	
protocol is supported IO-Link protocol	No
<b>Auxiliary circuit</b>	
<b>material of switching contacts</b>	AgSnO <sub>2</sub>
<b>number of NC contacts for auxiliary contacts</b>	0
<b>number of NO contacts for auxiliary contacts</b>	0
number of CO contacts for auxiliary contacts	1
<b>operational current of auxiliary contacts at DC-13</b>	
<ul style="list-style-type: none"> <li>• at 24 V</li> </ul>	1 A
<ul style="list-style-type: none"> <li>• at 125 V</li> </ul>	0.2 A
<ul style="list-style-type: none"> <li>• at 250 V</li> </ul>	0.1 A
<b>contact reliability of auxiliary contacts</b>	one incorrect switching operation of 100 million switching operations (17 V, 5 mA)
<b>contact rating of auxiliary contacts according to UL</b>	R300 / B300
<b>operating frequency rated value</b>	50 ... 60 Hz
ampacity of the output relay at AC-15 at 250 V at 50/60 Hz	3 A
<b>ampacity of the output relay at DC-13</b>	
<ul style="list-style-type: none"> <li>• at 24 V</li> </ul>	1 A
<ul style="list-style-type: none"> <li>• at 125 V</li> </ul>	0.2 A
<b>continuous current of the DIAZED fuse link of the output relay</b>	6 A
<b>continuous current of DIAZED fuse link of the output relay safety-related</b>	2 A
<b>Electromagnetic compatibility</b>	
EMC emitted interference according to IEC 60947-1	Class B
<b>conducted interference</b>	
<ul style="list-style-type: none"> <li>• due to burst according to IEC 61000-4-4</li> </ul>	2 kV (power ports), 1 kV (signal ports)



Approvals Certificates

General Product Approval



[Confirmation](#)



EMC

Marine / Shipping

other



[Confirmation](#)

Further information

Siemens has decided to exit the Russian market (see here).

<https://press.siemens.com/global/en/pressrelease/siemens-wind-down-russian-business>

Siemens is working on the renewal of the current EAC certificates.

Please contact your local Siemens office on the status of validity of the EAC certification if you intend to import or offer to supply these products to an EAC relevant market (other than the sanctioned EAEU member states Russia or Belarus).

Information on the packaging

<https://support.industry.siemens.com/cs/ww/en/view/109813875>

Information- and Downloadcenter (Catalogs, Brochures,...)

<https://www.siemens.com/ic10>

Industry Mall (Online ordering system)

<https://mall.industry.siemens.com/mall/en/en/Catalog/product?mlfb=3RS2500-2AA30>

Cax online generator

<http://support.automation.siemens.com/WW/CAXorder/default.aspx?lang=en&mlfb=3RS2500-2AA30>

Service&Support (Manuals, Certificates, Characteristics, FAQs,...)

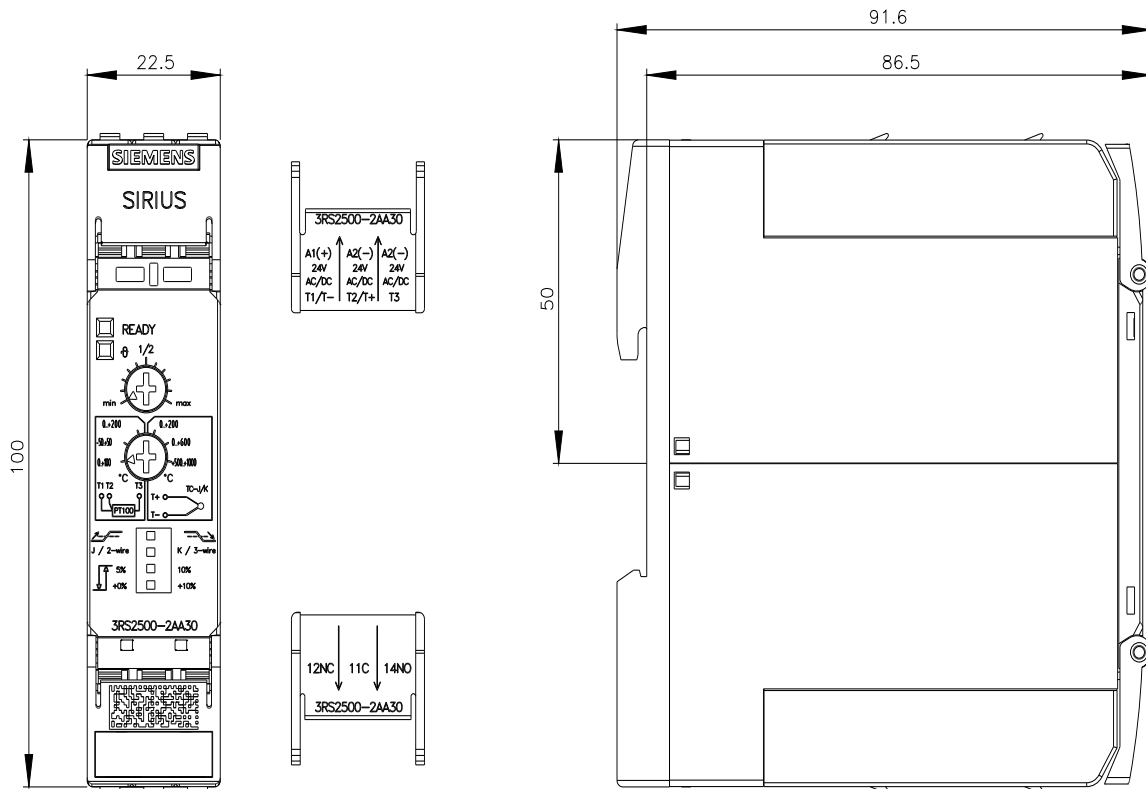
<https://support.industry.siemens.com/cs/ww/en/ps/3RS2500-2AA30>

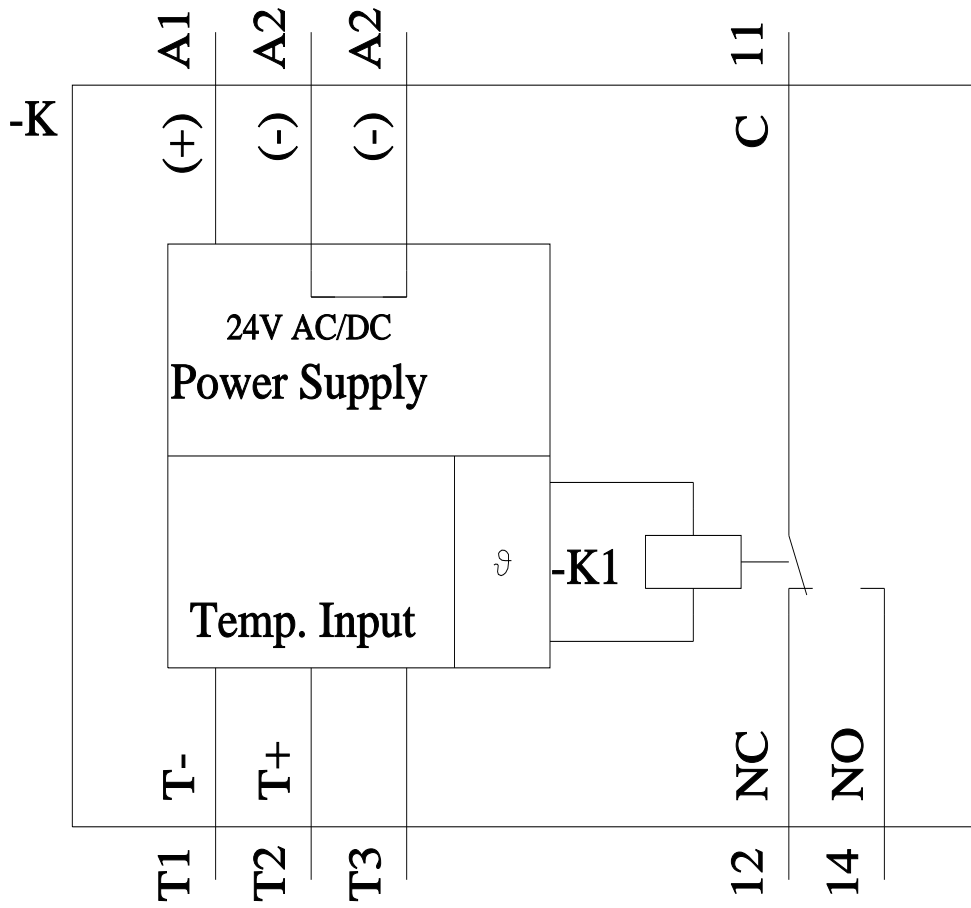
Image database (product images, 2D dimension drawings, 3D models, device circuit diagrams, EPLAN macros, ...)

[http://www.automation.siemens.com/bilddb/cax\\_de.aspx?mlfb=3RS2500-2AA30&lang=en](http://www.automation.siemens.com/bilddb/cax_de.aspx?mlfb=3RS2500-2AA30&lang=en)

Characteristic: Derating

<https://support.industry.siemens.com/cs/ww/en/ps/3RS2500-2AA30/manual>





last modified:

8/11/2023