








Accessory for SIRIUS 3RM1 Cover cap for busbars

General technical data		
product brand name		SIRIUS
product designation		Cover cap
design of the product		For 3 connection tags of the three-phase busbars
suitability for use		Busbars 3RM1910
product function short circuit protection		No
installation altitude at height above sea level maximum	m	2 000
ambient temperature		
• during operation	°C	-25 ... +60
• during transport	°C	-40 ... +70
• during storage	°C	-40 ... +70
insulation voltage rated value	V	500
Main circuit		
relative symmetrical tolerance of the operating voltage	%	10
Installation/ mounting/ dimensions		
mounting position		any
fastening method		snap-on mounting
width	mm	23
height	mm	26
depth	mm	7
Certificates/ approvals		
General Product Approval	EMC	Declaration of Conformity
Confirmation		
		
		
Test Certificates	other	Railway
Type Test Certificates/Test Report	Confirmation	Special Test Certificate

Further information

Siemens has decided to exit the Russian market (see here).
<https://press.siemens.com/global/en/pressrelease/siemens-wind-down-russian-business>

Siemens is working on the renewal of the current EAC certificates.
 Please contact your local Siemens office on the status of validity of the EAC certification if you intend to import or offer to supply these products to an EAC relevant market (other than the sanctioned EAEU member states Russia or Belarus).

Information on the packaging

<https://support.industry.siemens.com/cs/ww/en/view/109813875>

Information- and Downloadcenter (Catalogs, Brochures,...)

<https://www.siemens.com/ic10>

Industry Mall (Online ordering system)

<https://mall.industry.siemens.com/mall/en/en/Catalog/product?mlfb=3RM1910-6AA>

Cax online generator

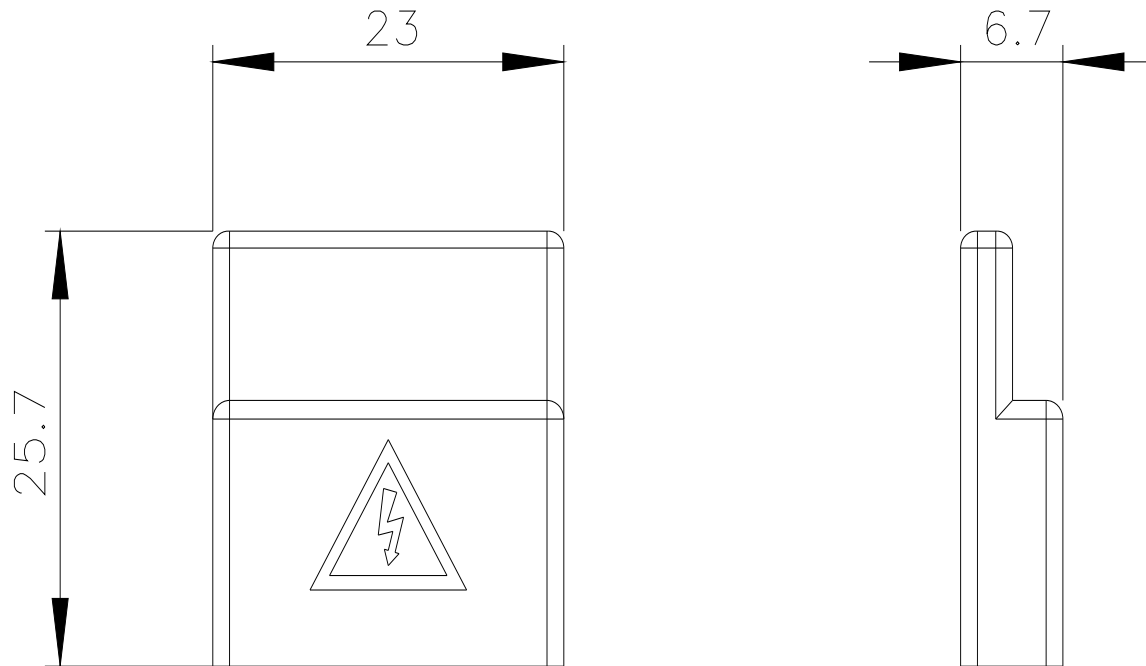
<http://support.automation.siemens.com/WW/CAXorder/default.aspx?lang=en&mlfb=3RM1910-6AA>

Service&Support (Manuals, Certificates, Characteristics, FAQs,...)

<https://support.industry.siemens.com/cs/ww/en/ps/3RM1910-6AA>

Image database (product images, 2D dimension drawings, 3D models, device circuit diagrams, EPLAN macros, ...)

http://www.automation.siemens.com/bilddb/cax_de.aspx?mlfb=3RM1910-6AA&lang=en



last modified:

12/16/2020 