



SIMATIC S7-1200, DCM 1271 Data decoupling module for AS-i Master CM 1243-2 IN: 24 V / 30 V DC OUT: 1x AS-Interface, 4 A Integrated overload protection integr. ground fault detection Signaling contact

General technical data		
product designation		AS-Interface data decoupling unit
design of the product		Communication module 30 mm for SIMATIC S7-1200
protection class IP		IP20
installation altitude at height above sea level maximum	m	2 000
ambient temperature		
• during operation	°C	0 ... 55
• during storage	°C	-40 ... +70
relative humidity at 25 °C during operation maximum	%	95
reference code acc. to DIN 40719 extended according to IEC 204-2 acc. to IEC 750		A
reference code acc. to DIN EN 61346-2		A
supplied active power	W	120
product function		
• auto-RESET		Yes
• external reset		No
• manual RESET		No
• ground fault detection		Yes
• test function of signaling contacts		No
• suitable for grounded AS-i networks		Yes
• adapted for non-grounded AS-i networks		Yes
• suitable for AS-i Power24V		Yes
• sequential connected time-delay		No
• AS-Interface data decoupling		Yes
reset function		No
adjustable current response value current of the current-dependent overload release	A	4 ... 4
number of electrical connections for signaling contact		3
number of outputs for AS-Interface maximum		1
display version as status display by LED		EFD, ASI OL, DIAG
design of the switching contact as NO contact for signaling function		No
Communication/ Protocol		
protocol is supported AS-Interface protocol		Yes
Auxiliary circuit		
operational current of auxiliary contacts		
• at DC-13 at 24 V	A	0.05
Inputs/ Outputs		
type of voltage		

<ul style="list-style-type: none"> <li>of the input voltages</li> <li>of the input voltage</li> </ul>		DC
<b>property of the output short-circuit proof</b>		Yes
<b>output voltage</b>		
<ul style="list-style-type: none"> <li>1 at DC <ul style="list-style-type: none"> <li>rated value</li> <li>rated value</li> </ul> </li> <li>2 at DC rated value</li> </ul>	V	30
	V	20.5 ... 31.6
	V	24
<b>output current at DC maximum</b>	A	4
<b>input voltage</b>		
<ul style="list-style-type: none"> <li>1 at DC <ul style="list-style-type: none"> <li>rated value</li> <li>rated value</li> </ul> </li> <li>2 at DC rated value</li> </ul>	V	30
	V	21 ... 32
	V	24
<b>input current at DC maximum</b>	A	4.1

### Short-circuit protection

<b>design of short-circuit protection</b>		electronic
-------------------------------------------	--	------------

### Installation/ mounting/ dimensions

<b>mounting position</b>		vertical, horizontal
<b>fastening method</b>		35-mm DIN rail mounting or wall mounting with plug-in flaps
<b>width</b>	mm	30
<b>height</b>	mm	100
<b>depth</b>	mm	75
<b>type of electrical connection for auxiliary and control circuit</b>		screw-type terminals
<b>product component removable terminal for auxiliary and control circuit</b>		Yes
<b>type of connectable conductor cross-sections</b>		
<ul style="list-style-type: none"> <li>for auxiliary contacts <ul style="list-style-type: none"> <li>solid</li> <li>finely stranded</li> <li>with core end processing</li> </ul> </li> <li>at AWG cables for auxiliary contacts</li> </ul>		3x (0.2 ... 3.3 mm <sup>2</sup> )
		3x (0.2 ... 3.3 mm <sup>2</sup> )
		3x (24 ... 16)
<b>certificate of suitability</b>		CE / cULus / FM / ATEX
<b>suitability for use safety-related circuits</b>		No

### Certificates/ approvals

<b>General Product Approval</b>	<b>EMC</b>	<b>For use in hazardous locations</b>
---------------------------------	------------	---------------------------------------

FM



Explosion Protection Certificate



<b>For use in hazardous locations</b>	<b>Marine / Shipping</b>	<b>other</b>
---------------------------------------	--------------------------	--------------



NK / Nippon Kaiji Kyokai



Confirmation

### Further information

Information- and Downloadcenter (Catalogs, Brochures,...)

<https://www.siemens.com/ic10>

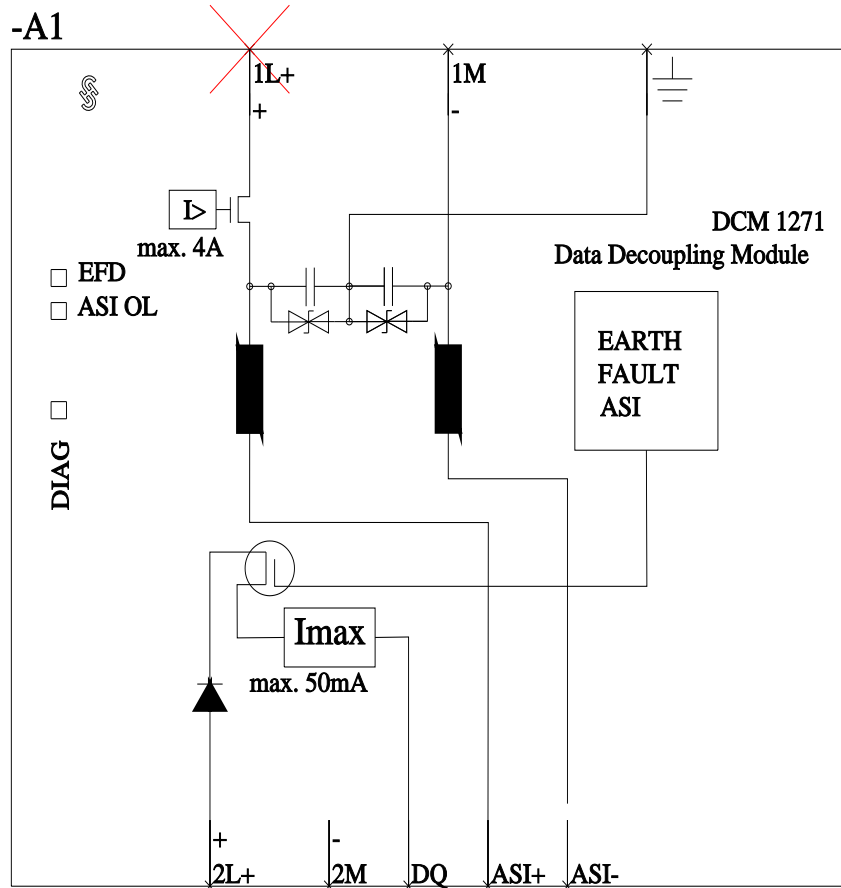
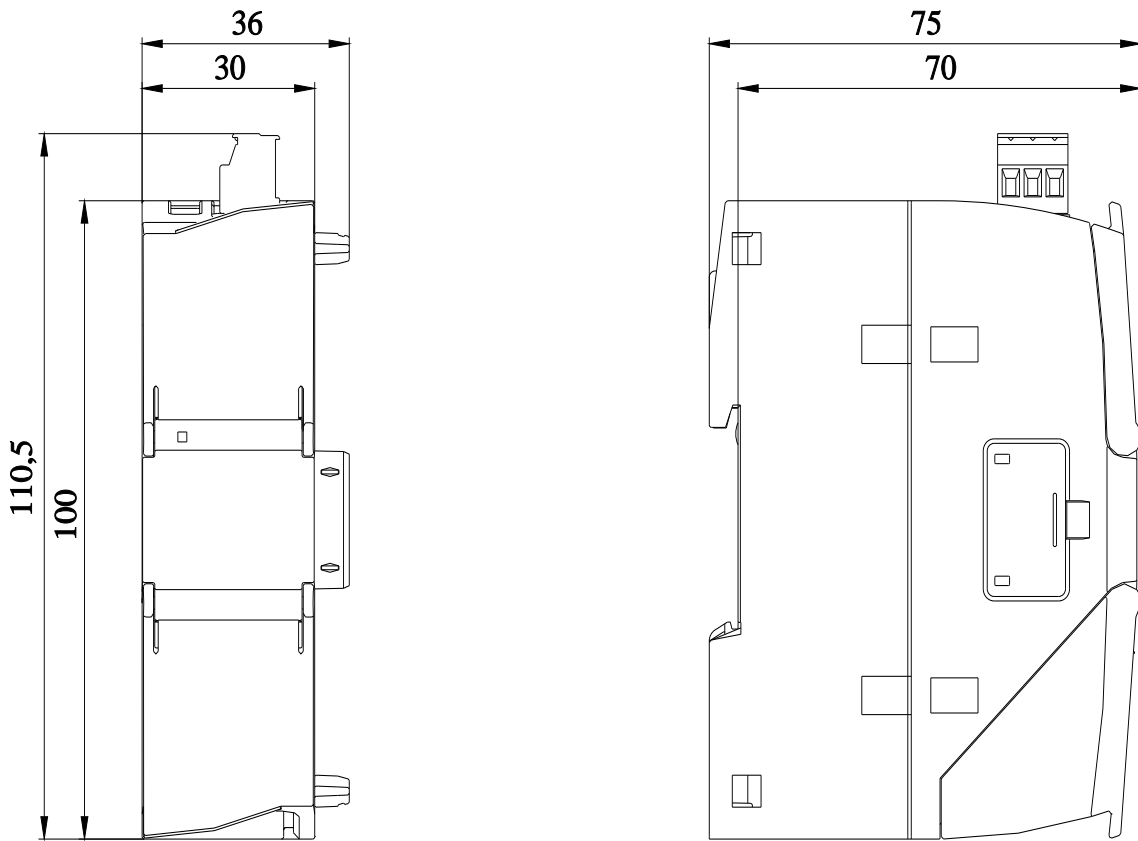
Industry Mall (Online ordering system)

<https://mall.industry.siemens.com/mall/en/en/Catalog/product?mlfb=3RK7271-1AA30-0AA0>

Cax online generator

<http://support.automation.siemens.com/WW/CAXorder/default.aspx?lang=en&mlfb=3RK7271-1AA30-0AA0>

Service&Support (Manuals, Certificates, Characteristics, FAQs,...)



last modified:

1/6/2021 