



AS-i compact module K60 analog A/B slave, 2 AI, IP67 2 x input, current 4...20 mA, +/- 20 mA for 4-wire sensors 2 x M12 socket
Mounting plate 3RK1901-0CA00 must be ordered separately

General technical data		
design of the product		analog I/O modules for operation in the field, IP67 - K60
Type of device		analog input modules for current measurement
Type		2 inputs
design of the slave type		A/B analog slave (Spec. 3.0)
I/O configuration		7
ID code		A
type of electrical connection of the inputs and outputs		M12 screw-type terminals
consumed current from profile conductors of the AS-Interface at 30 V maximum	mA	160
operating voltage according to AS-Interface specification	V	26.5 ... 31.6
Current consumption when connected		
• 2 sensors		
— without Uaux infeed max	mA	46
— from Uaux infeed max.	mA	500
Voltage supply auxiliary voltage additional for sensors Uaux	V	24 ... 30
profile		7.A.9
Measuring/output value		current
Measuring/output range		adjustable: 4 ... 20 mA / +/-20 mA
Smoothing function		configurable
Channels active		1 and 2
A/D resolution for analog inputs/outputs	bit	14
type of connection technology		4-conductor
Inputs		
number of analog inputs		2
Inputs sensors		2/3/4-conductor sensors
input variable		mA
product function input variable parameterizable		Yes
number of analog outputs		0
output quantity		
• current signal		Yes
Status display		
• AUX PWR (Uaux)		green LED
• AS-Interface		green LED
• FAULT		red LED
Ambient conditions		
ambient temperature		
• during operation	°C	-20 ... +60
• during storage	°C	-40 ... +85
protection class IP		IP67

Mechanical data		
width	mm	60
height	mm	152
depth	mm	29
fastening method		standard rail mounting/wall mounting using mounting plate for K60 compact module

Certificates/ approvals		
General Product Approval	EMC	Declaration of Conformity

[Confirmation](#)



Marine / Shipping	other
-------------------	-------



[Confirmation](#)

other

[Miscellaneous](#)

Further information

Siemens has decided to exit the Russian market (see here).

<https://press.siemens.com/global/en/pressrelease/siemens-wind-down-russian-business>

Siemens is working on the renewal of the current EAC certificates.

Please contact your local Siemens office on the status of validity of the EAC certification if you intend to import or offer to supply these products to an EAC relevant market (other than the sanctioned EAEU member states Russia or Belarus).

Information on the packaging

<https://support.industry.siemens.com/cs/ww/en/view/109813875>

Information- and Downloadcenter (Catalogs, Brochures,...)

<https://www.siemens.com/ic10>

Industry Mall (Online ordering system)

<https://mall.industry.siemens.com/mall/en/en/Catalog/product?mlfb=3RK2207-1BQ50-0AA3>

Cax online generator

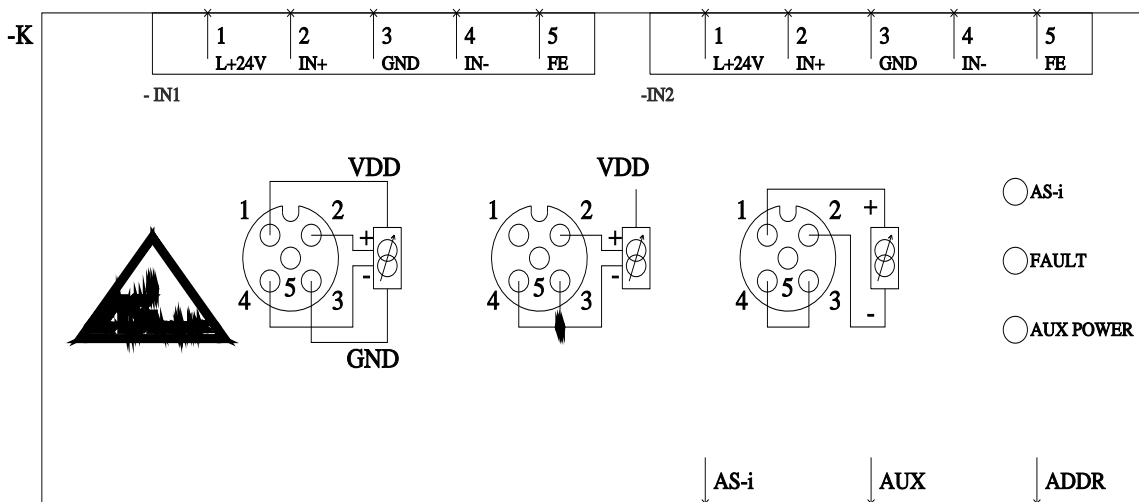
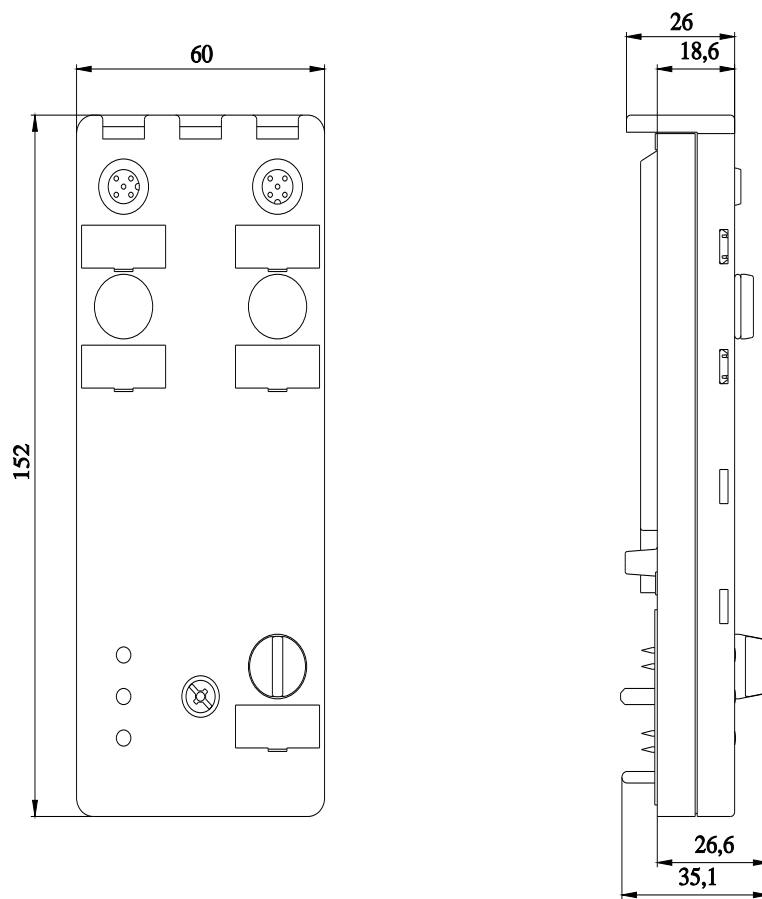
<http://support.automation.siemens.com/WW/CAXorder/default.aspx?lang=en&mlfb=3RK2207-1BQ50-0AA3>

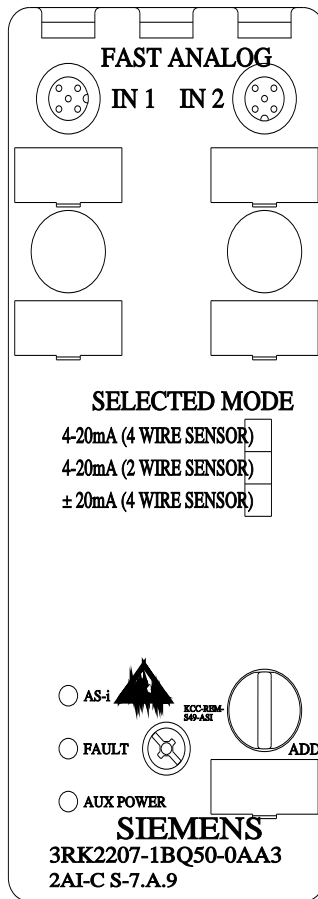
Service&Support (Manuals, Certificates, Characteristics, FAQs,...)

<https://support.industry.siemens.com/cs/ww/en/ps/3RK2207-1BQ50-0AA3>

Image database (product images, 2D dimension drawings, 3D models, device circuit diagrams, EPLAN macros, ...)

http://www.automation.siemens.com/bilddb/cax_de.aspx?mlfb=3RK2207-1BQ50-0AA3&lang=en





last modified:

9/5/2023