

AS-i compact module K45 digital A/B slave, 4 DQ, IP67 4 x output, 1 A 24 V DC maximal 3 A for all outputs 4 x M12 socket Mounting plate 3RK1901-2EA00 or 3RK1901-2DA00 must be ordered separately

General technical data	
design of the product	digital I/O modules for operation in the field, IP67 - K45
Type	4 outputs
design of the slave type	A/B slave (Spec. 3.0)
I/O configuration	7
ID/ID2 code	A/7
Number I/O sockets	4
type of electrical connection of the inputs and outputs	M12 screw-type terminals
AS interface total current input max	45 mA
operating voltage according to AS-Interface specification	18 ... 31.6 V
Ground terminal	Using PIN5 on the M12 sockets. Outgoing via flat tab sleeve (2.8 x 0.8 mm form A)
Addressing	front addressing socket
AS interface Connection Polarity reversal protection	built-in
Delivery note	the modules are delivered without mounting plate
Note 1	An external additional supply (AUX POWER) of 20 to 30 V DC is required for the supply of the output circuits. The additional supply must comply with VDE 0106 (PELV), protection class III.
Note 2	This module requires a master according to AS-i specifications 3.0
Sensor supply	
input voltage	16.5 ... 30 V
Inputs	
number of digital inputs	0
Input circuit	PNP transistor
Inputs socket assignment	
• PIN 5	ground terminal
Outputs	
number of digital outputs	4
type of voltage of output voltages	DC
Outputs external power supply 24 V DC	using black AS-Interface flat cable
ampacity of the semiconductor output at DC-13 at 24 V	1 A
Outputs aggregate current	
• max	3 A
type of switching output	PNP transistor
design of the pin assignment of the outputs	standard assignment
Outputs socket assignment	3 = "-", 4 = output, 5 = ground terminal
property of the output short-circuit proof	Yes
Outputs	
• short-circuit protection	built-in
• induction protection	built-in
• watchdog	built-in

## Display

### Status display

- |                                       |                    |
|---------------------------------------|--------------------|
| • display of I/Os                     | yellow LED         |
| • display of Uaux                     | green LED          |
| • display of AS-Interface/diagnostics | green/red dual LED |

## Assignment of the data bits

### Assignment of data bits

- |            |                   |
|------------|-------------------|
| • socket   | PIN 4 = OUT1 (D0) |
| • socket 2 | PIN 4 = OUT2 (D1) |
| • socket 3 | PIN 4 = OUT3 (D2) |
| • socket 4 | PIN 4 = OUT4 (D3) |

## Ambient conditions

### ambient temperature

- |                    |                |
|--------------------|----------------|
| • during operation | -25 ... +85 °C |
| • during storage   | -40 ... +85 °C |

### protection class IP

IP67

## Mechanical data

width	45 mm
height	80 mm
depth	30 mm
fastening method	standard rail mounting/wall mounting using mounting plate for K45 compact module
shock resistance	15g / 11 ms

## Certificates/ approvals

General Product Approval

EMC

Declaration of Conformity

[Confirmation](#)



Marine / Shipping

other



[Confirmation](#)

[Miscellaneous](#)

## Further information

Siemens has decided to exit the Russian market (see here).

<https://press.siemens.com/global/en/pressrelease/siemens-wind-down-russian-business>

Siemens is working on the renewal of the current EAC certificates.

Please contact your local Siemens office on the status of validity of the EAC certification if you intend to import or offer to supply these products to an EAC relevant market (other than the sanctioned EAEU member states Russia or Belarus).

Information on the packaging

<https://support.industry.siemens.com/cs/ww/en/view/109813875>

Information- and Downloadcenter (Catalogs, Brochures,...)

<https://www.siemens.com/ic10>

Industry Mall (Online ordering system)

<https://mall.industry.siemens.com/mall/en/en/Catalog/product?mlfb=3RK2100-1CQ20-0AA3>

Cax online generator

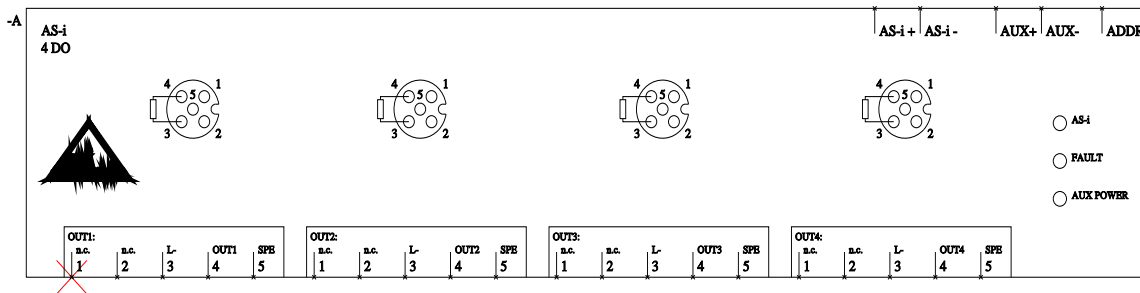
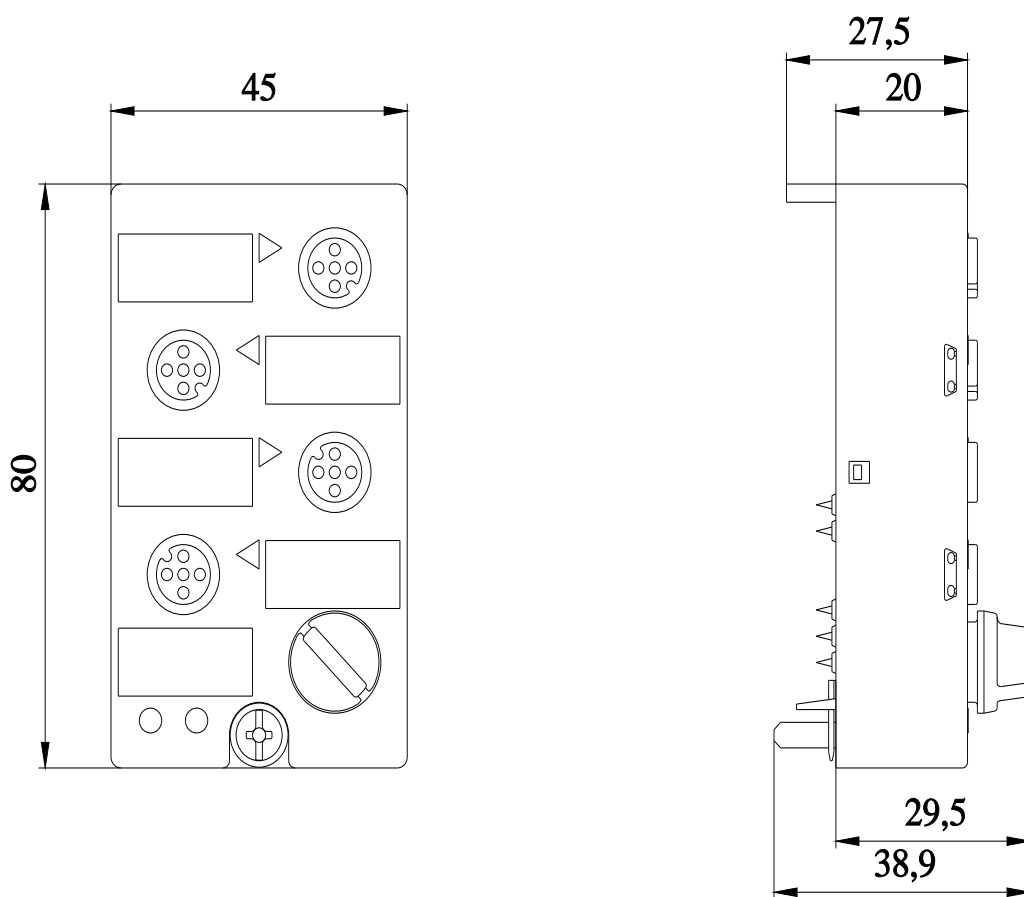
<http://support.automation.siemens.com/WW/CAXorder/default.aspx?lang=en&mlfb=3RK2100-1CQ20-0AA3>

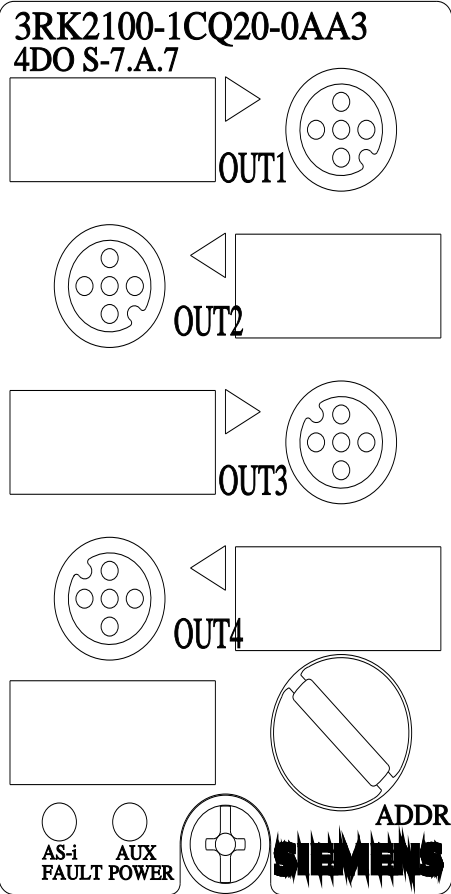
Service&Support (Manuals, Certificates, Characteristics, FAQs,...)

<https://support.industry.siemens.com/cs/ww/en/ps/3RK2100-1CQ20-0AA3>

Image database (product images, 2D dimension drawings, 3D models, device circuit diagrams, EPLAN macros, ...)

[http://www.automation.siemens.com/bilddb/cax\\_de.aspx?mlfb=3RK2100-1CQ20-0AA3&lang=en](http://www.automation.siemens.com/bilddb/cax_de.aspx?mlfb=3RK2100-1CQ20-0AA3&lang=en)





last modified:

9/5/2023