



Socket insert Han Q4/2 5 contact sockets 4 mm<sup>2</sup>, 2 auxiliary contacts 0.5 mm<sup>2</sup> pin 11+12 Connector set power supply for connection to MS, RSM of ET200pro, M200D Sleeve housing angled Outgoing unit including screw connection

product brand name	SIRIUS
product designation	Power connector
connector type	Socket
type of cable outlet	angled
number of poles	6
protection class IP	IP65

**Further information**

Siemens has decided to exit the Russian market (see here).

<https://press.siemens.com/global/en/pressrelease/siemens-wind-down-russian-business>

Siemens is working on the renewal of the current EAC certificates.

Please contact your local Siemens office on the status of validity of the EAC certification if you intend to import or offer to supply these products to an EAC relevant market (other than the sanctioned EAEU member states Russia or Belarus).

Information on the packaging

<https://support.industry.siemens.com/cs/ww/en/view/109813875>

Information- and Downloadcenter (Catalogs, Brochures,...)

<https://www.siemens.com/ic10>

Industry Mall (Online ordering system)

<https://mall.industry.siemens.com/mall/en/en/Catalog/product?mlfb=3RK1911-2BE10>

Cax online generator

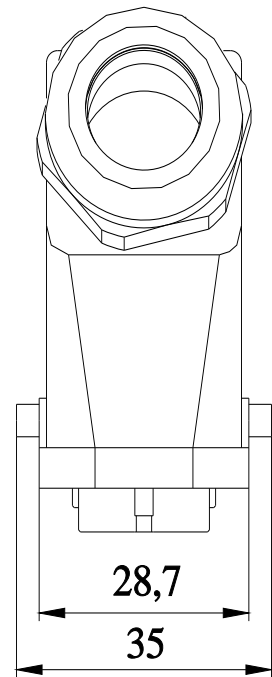
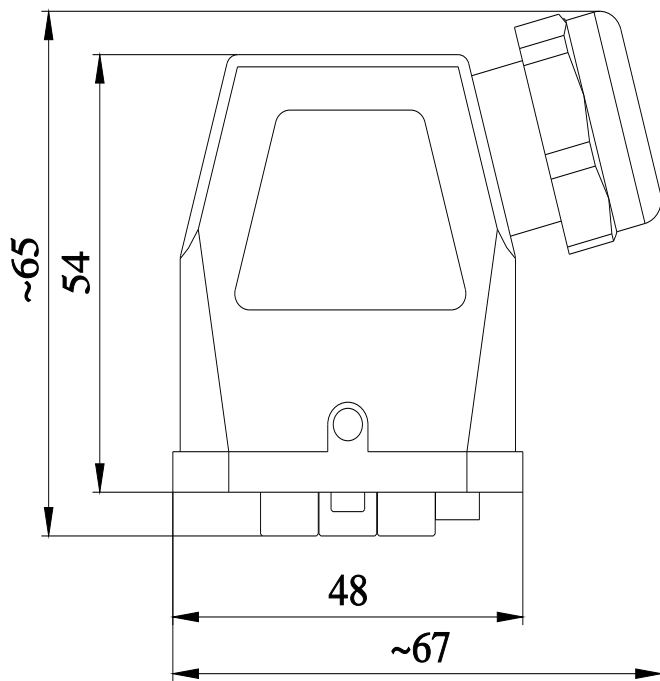
<http://support.automation.siemens.com/WW/CAXorder/default.aspx?lang=en&mlfb=3RK1911-2BE10>

Service&Support (Manuals, Certificates, Characteristics, FAQs,...)

<https://support.industry.siemens.com/cs/ww/en/ps/3RK1911-2BE10>

Image database (product images, 2D dimension drawings, 3D models, device circuit diagrams, EPLAN macros, ...)

[http://www.automation.siemens.com/bilddb/cax\\_de.aspx?mlfb=3RK1911-2BE10&lang=en](http://www.automation.siemens.com/bilddb/cax_de.aspx?mlfb=3RK1911-2BE10&lang=en)



last modified:

12/23/2020 