

Connector for PROFINET 4-core, shielded



General technical data		
ampacity per pin maximum	A	4
operating voltage maximum	V	250
flow resistance maximum	$\Omega \cdot m$	3
Mechanical data		
type of connection technology		Screw terminals
connector type		Pin
connector coding of the M12 circular connector		D
type of cable outlet		angled
number of poles		4
connectable conductor cross-section for flexible conductor maximum	mm ²	0.75
diameter of inlet opening	mm	6 ... 8
material		
• of the contact		Brass
• of contact coating		Gold
• of connector fixed part		Polyamide
• of the enclosure		Zinc diecast, nickel-plated
depth	mm	20
height	mm	54
width	mm	43
type of strain relief		Pressure screw, pinch ring
mechanical service life (mating cycles)		100
type of plug interlock		M12 x 1 thread
Ambient conditions		
ambient temperature		
• during storage	°C	-25 ... +85
• during operation	°C	-25 ... +85
protection class IP		IP67
chemical resistance		
• to mineral oil		conditional, must be checked relative to the application
• to water		conditional, must be checked relative to the application
• to grease		conditional, must be checked relative to the application
Certificates/ approvals		
certificate of suitability		
• CSA approval		No
• RoHS conformity		Yes
• UL approval		No
• CCC		No
• IEC approval		No

- cUL approval
- C-Tick

No
No

Further information

Siemens has decided to exit the Russian market (see here).

<https://press.siemens.com/global/en/pressrelease/siemens-wind-down-russian-business>

Siemens is working on the renewal of the current EAC certificates.

Please contact your local Siemens office on the status of validity of the EAC certification if you intend to import or offer to supply these products to an EAC relevant market (other than the sanctioned EAEU member states Russia or Belarus).

Information on the packaging

<https://support.industry.siemens.com/cs/ww/en/view/109813875>

Information- and Downloadcenter (Catalogs, Brochures,...)

<https://www.siemens.com/ic10>

Industry Mall (Online ordering system)

<https://mall.industry.siemens.com/mall/en/en/Catalog/product?mlfb=3RK1902-2DA00>

Cax online generator

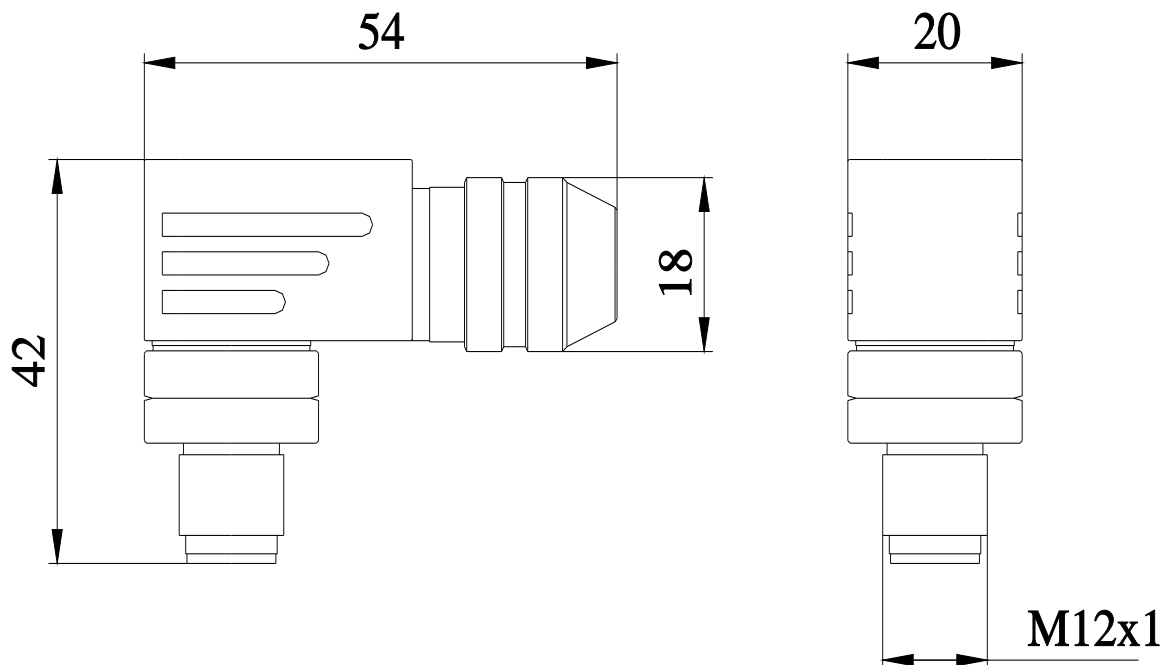
<http://support.automation.siemens.com/WW/CAXorder/default.aspx?lang=en&mlfb=3RK1902-2DA00>

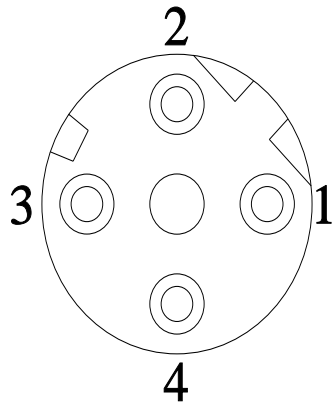
Service&Support (Manuals, Certificates, Characteristics, FAQs,...)

<https://support.industry.siemens.com/cs/ww/en/ps/3RK1902-2DA00>

Image database (product images, 2D dimension drawings, 3D models, device circuit diagrams, EPLAN macros, ...)

http://www.automation.siemens.com/bilddb/cax_de.aspx?mlfb=3RK1902-2DA00&lang=en





1		yellow/ gelb
2		white/ weiss
3		orange/ orange
4		blue/ blau

last modified:

8/29/2023