



AS-i data decoupler 2 x 4 A Screw terminals, AS-i dual Data decoupling module IP20, SlimLine S22.5 Screw terminals Overall width module 22.5 mm IN: 24 V / 30 V DC OUT: 2 x AS-i, 4 A Integrated overload protection Integrated ground fault detection Signaling contact Remote reset

General technical data		
product designation		Twin data decoupling module
design of the product		SlimLine S22.5 - Module to be used in the IP20 control cabinet
protection class IP		IP20
installation altitude at height above sea level maximum	m	2 000
ambient temperature		
• during operation	°C	-25 ... +70
• during storage	°C	-40 ... +85
relative humidity at 25 °C during operation maximum	%	70
reference code according to DIN 40719 extended according to IEC 204-2 according to IEC 750		A
reference code according to EN 61346-2		A
supplied active power	W	240
mechanical service life (operating cycles) of the signaling contacts typical		1 000 000
product function		
• auto-RESET		No
• external reset		Yes
• manual RESET		Yes
• ground fault detection		Yes
• test function of signaling contacts		Yes
• suitable for grounded AS-i networks		Yes
• adapted for non-grounded AS-i networks		Yes
• suitable for AS-i Power24V		Yes
• sequential connected time-delay		Yes
• AS-Interface data decoupling		Yes
reset function		yes
adjustable current response value current of the current-dependent overload release	A	2.5 ... 4
number of electrical connections for signaling contact		3
number of outputs for AS-Interface maximum		2
display version as status display by LED		yes
number of switching contacts as NO contact for signaling function		2
design of the switching contact as NO contact for signaling function		yes
response delay of the sequential connection delay	ms	200
Communication/ Protocol		
protocol is supported AS-Interface protocol		Yes
Auxiliary circuit		
operational current of auxiliary contacts		
• at AC-15 at 24 V	A	3

• at DC-13 at 24 V	A	1
Inputs/ Outputs		
type of voltage		
• of the input voltages		DC
• of the input voltage		DC
property of the output short-circuit proof		Yes
output voltage		
• 1 at DC		
— rated value	V	30
— rated value	V	20.5 ... 31.6
• 2 at DC rated value	V	24
output current at DC maximum	A	4
input voltage		
• 1 at DC		
— rated value	V	30
— rated value	V	21 ... 32
• 2 at DC rated value	V	24
input current at DC maximum	A	8.2
Short-circuit protection		
design of short-circuit protection		electronic
Installation/ mounting/ dimensions		
mounting position		vertical
fastening method		35-mm DIN rail mounting or wall mounting with plug-in flaps
width	mm	22.5
height	mm	101.3
depth	mm	121.2
type of electrical connection for auxiliary and control circuit		screw-type terminals
product component removable terminal for auxiliary and control circuit		Yes
type of connectable conductor cross-sections		
• for auxiliary contacts		
— solid		1x (0.5 ... 4 mm ²), 2x (0.5 ... 2.5 mm ²)
— finely stranded		
— with core end processing		1x (0.5 ... 2.5 mm ²), 2x (0.5 ... 1.5 mm ²)
• for AWG cables for auxiliary contacts		2x (20 ... 14)
certificate of suitability		CE / UL / CSA
suitability for use safety-related circuits		Yes
Certificates/ approvals		
General Product Approval	EMC	Declaration of Conformity

[Confirmation](#)



Marine / Shipping

other



[Confirmation](#)

Further information

Siemens has decided to exit the Russian market (see here).

<https://press.siemens.com/global/en/pressrelease/siemens-wind-down-russian-business>

Siemens is working on the renewal of the current EAC certificates.

Please contact your local Siemens office on the status of validity of the EAC certification if you intend to import or offer to supply these products to an EAC relevant market (other than the sanctioned EAEU member states Russia or Belarus).

Information on the packaging

<https://support.industry.siemens.com/cs/ww/en/view/109813875>

Information- and Downloadcenter (Catalogs, Brochures,...)

<https://www.siemens.com/ic10>

Industry Mall (Online ordering system)

<https://mall.industry.siemens.com/mall/en/en/Catalog/product?mlfb=3RK1901-1DE22-1AA0>

Cax online generator

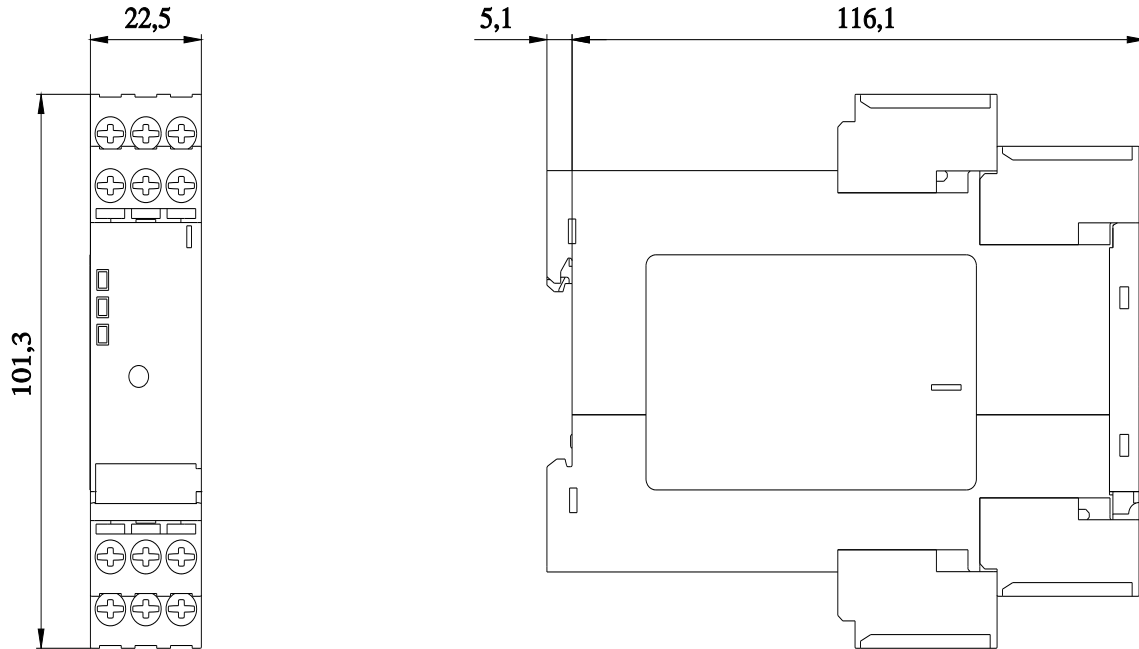
<http://support.automation.siemens.com/WW/CAXorder/default.aspx?lang=en&mlfb=3RK1901-1DE22-1AA0>

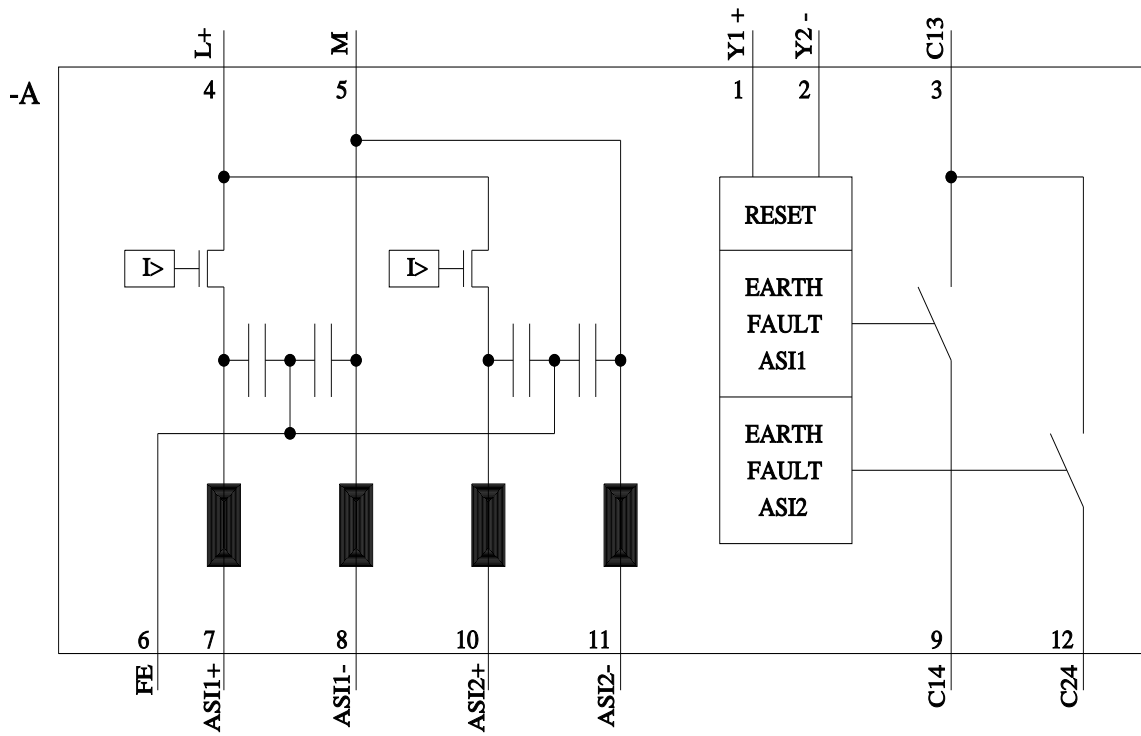
Service&Support (Manuals, Certificates, Characteristics, FAQs,...)

<https://support.industry.siemens.com/cs/ww/en/ps/3RK1901-1DE22-1AA0>

Image database (product images, 2D dimension drawings, 3D models, device circuit diagrams, EPLAN macros, ...)

http://www.automation.siemens.com/bilddb/cax_de.aspx?mlfb=3RK1901-1DE22-1AA0&lang=en





last modified:

8/29/2023 