



AS-i data decoupler 1 x 4 A Screw terminals, AS-i single Data decoupling module IP20, SlimLine S22.5 Screw terminals Overall width module 22.5 mm IN: 24 V / 30 V DC OUT: 1 x AS-i, 4 A Integrated overload protection Integrated ground fault detection Signaling contact Remote reset

| General technical data | | |
|--|----|--|
| product designation | | Single data decoupling module |
| design of the product | | SlimLine S22.5 - Module to be used in the IP20 control cabinet |
| protection class IP | | IP20 |
| installation altitude at height above sea level maximum | m | 2 000 |
| ambient temperature | | |
| • during operation | °C | -25 ... +70 |
| • during storage | °C | -40 ... +85 |
| relative humidity at 25 °C during operation maximum | % | 70 |
| reference code according to DIN 40719 extended according to IEC 204-2 according to IEC 750 | | A |
| reference code according to EN 61346-2 | | A |
| supplied active power | W | 120 |
| mechanical service life (operating cycles) of the signaling contacts typical | | 1 000 000 |
| product function | | |
| • auto-RESET | | No |
| • external reset | | Yes |
| • manual RESET | | Yes |
| • ground fault detection | | Yes |
| • test function of signaling contacts | | Yes |
| • suitable for grounded AS-i networks | | Yes |
| • adapted for non-grounded AS-i networks | | Yes |
| • suitable for AS-i Power24V | | Yes |
| • sequential connected time-delay | | No |
| • AS-Interface data decoupling | | Yes |
| reset function | | yes |
| adjustable current response value current of the current-dependent overload release | A | 2.5 ... 4 |
| number of electrical connections for signaling contact | | 2 |
| number of outputs for AS-Interface maximum | | 1 |
| display version as status display by LED | | yes |
| number of switching contacts as NO contact for signaling function | | 1 |
| design of the switching contact as NO contact for signaling function | | yes |
| Communication/ Protocol | | |
| protocol is supported AS-Interface protocol | | Yes |
| Auxiliary circuit | | |
| operational current of auxiliary contacts | | |
| • at AC-15 at 24 V | A | 3 |
| • at DC-13 at 24 V | A | 1 |

| Inputs/ Outputs | | |
|---|---|---------------|
| type of voltage | | |
| • of the input voltages | | DC |
| • of the input voltage | | DC |
| property of the output short-circuit proof | | Yes |
| output voltage | | |
| • 1 at DC | | |
| — rated value | V | 30 |
| — rated value | V | 20.5 ... 31.6 |
| • 2 at DC rated value | V | 24 |
| output current at DC maximum | A | 4 |
| input voltage | | |
| • 1 at DC | | |
| — rated value | V | 30 |
| — rated value | V | 21 ... 32 |
| • 2 at DC rated value | V | 24 |
| input current at DC maximum | A | 4.1 |

Short-circuit protection

| | | |
|---|--|------------|
| design of short-circuit protection | | electronic |
|---|--|------------|

Installation/ mounting/ dimensions

| | | |
|---|----|--|
| mounting position | | vertical |
| fastening method | | 35-mm DIN rail mounting or wall mounting with plug-in flaps |
| width | mm | 22.5 |
| height | mm | 101.3 |
| depth | mm | 121.2 |
| type of electrical connection for auxiliary and control circuit | | screw-type terminals |
| product component removable terminal for auxiliary and control circuit | | Yes |
| type of connectable conductor cross-sections | | |
| • for auxiliary contacts | | |
| — solid | | 1x (0.5 ... 4 mm ²), 2x (0.5 ... 2.5 mm ²) |
| — finely stranded | | |
| — with core end processing | | 1x (0.5 ... 2.5 mm ²), 2x (0.5 ... 1.5 mm ²) |
| • for AWG cables for auxiliary contacts | | 2x (20 ... 14) |
| certificate of suitability | | CE / UL / CSA |
| suitability for use safety-related circuits | | Yes |

Certificates/ approvals

| General Product Approval | EMC | Declaration of Conformity |
|--------------------------|-----|---------------------------|
|--------------------------|-----|---------------------------|

[Confirmation](#)



Marine / Shipping other



[Confirmation](#)

Further information

Siemens has decided to exit the Russian market (see here).

<https://press.siemens.com/global/en/pressrelease/siemens-wind-down-russian-business>

Siemens is working on the renewal of the current EAC certificates.

Please contact your local Siemens office on the status of validity of the EAC certification if you intend to import or offer to supply these products to an EAC relevant market (other than the sanctioned EAEU member states Russia or Belarus).

Information on the packaging

<https://support.industry.siemens.com/cs/ww/en/view/109813875>

Information- and Downloadcenter (Catalogs, Brochures,...)

<https://www.siemens.com/ic10>

Industry Mall (Online ordering system)

<https://mall.industry.siemens.com/mall/en/en/Catalog/product?mlfb=3RK1901-1DE12-1AA0>

Cax online generator

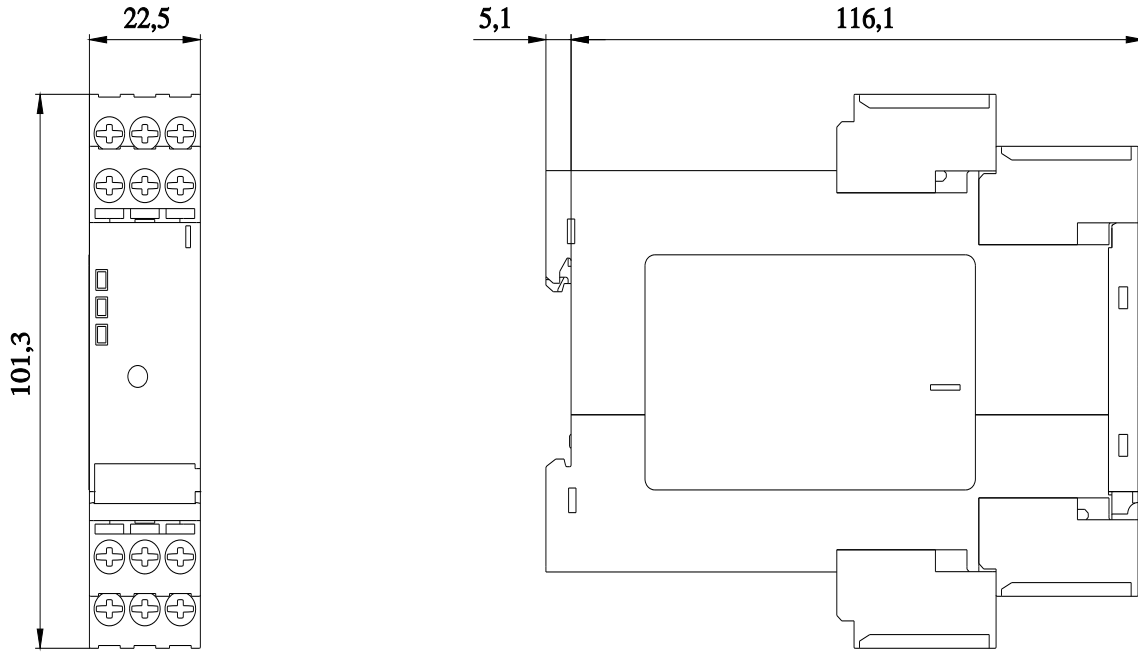
<http://support.automation.siemens.com/WW/CAXorder/default.aspx?lang=en&mlfb=3RK1901-1DE12-1AA0>

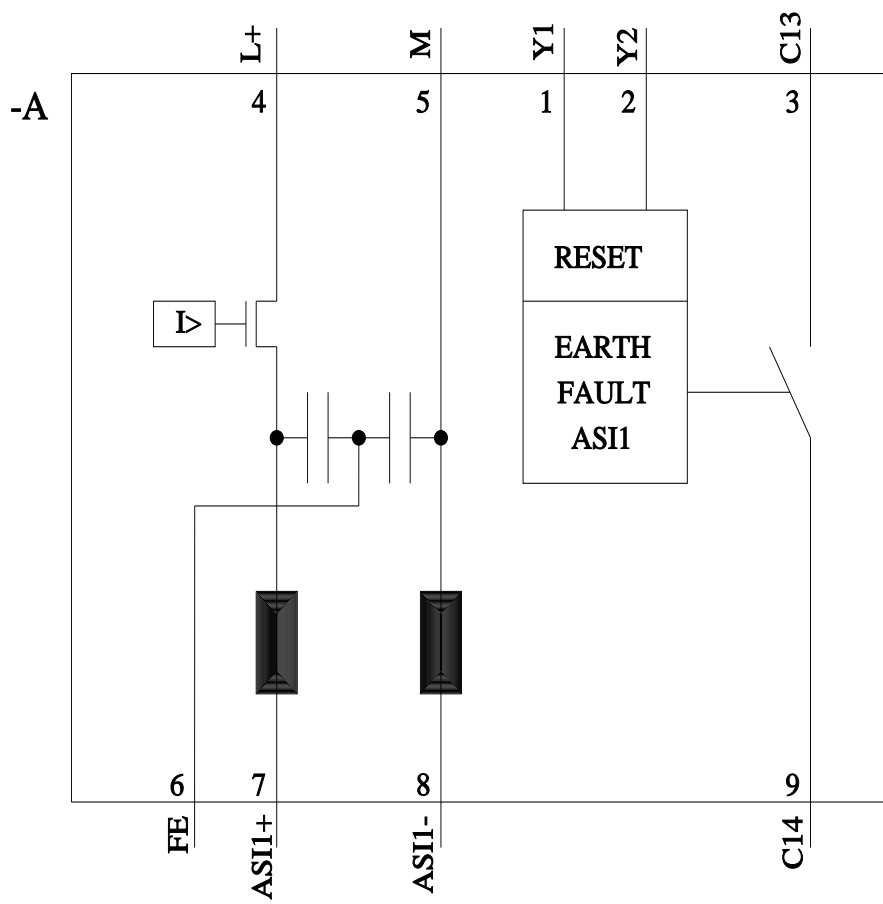
Service&Support (Manuals, Certificates, Characteristics, FAQs,...)

<https://support.industry.siemens.com/cs/ww/en/ps/3RK1901-1DE12-1AA0>

Image database (product images, 2D dimension drawings, 3D models, device circuit diagrams, EPLAN macros, ...)

http://www.automation.siemens.com/bilddb/cax_de.aspx?mlfb=3RK1901-1DE12-1AA0&lang=en





last modified:

8/29/2023 