

Auxiliary switch 1 NC contact 1 NO contact Connection control circuit: screw terminal



General technical data		
product brand name		SIRIUS
product designation		auxiliary switch compact feeder
protection class IP on the front according to IEC 60529		IP20
touch protection on the front according to IEC 60529		Finger-safe, for vertical contact
relative humidity during operation	%	10 ... 90
ambient temperature		
• during transport	°C	-55 ... +80
• during storage	°C	-55 ... +80
• during operation	°C	-20 ... +60
reference code according to EN 61346-2		K
Auxiliary circuit		
number of NC contacts for auxiliary contacts		1
number of NO contacts for auxiliary contacts		1
Installation/ mounting/ dimensions		
width	mm	45
height	mm	32
depth	mm	25
Connections/ Terminals		
stripped length	mm	10
type of electrical connection		
• for auxiliary and control circuit		screw-type terminals
design of screw-type connection for auxiliary contacts		M6
tightening torque for auxiliary contacts with screw-type terminals	N·m	0.8 ... 1.2
type of connectable conductor cross-sections for auxiliary contacts		
• solid		max. 2x (1 ... 4 mm ²)
• finely stranded		
— with core end processing		2x (0.5 ... 1.5 mm ²), 2x (0.75 ... 2.5 mm ²)
type of connectable conductor cross-sections for AWG cables for auxiliary contacts		2x (20 ... 16), 2x (18 ... 14), 1x 12
Certificates/ approvals		
certificate of suitability		IEC / EN 60947-6-2
General Product Approval	EMC	Functional Safety/Safety of Machinery



[Confirmation](#)



Declaration of Conformity	Test Certificates	Marine / Shipping	other
---------------------------	-------------------	-------------------	-------



EG-Konf.

[Type Test Certificates/Test Report](#)



ABS



DNV



PRS

[Confirmation](#)

Further information

Siemens has decided to exit the Russian market (see here).

<https://press.siemens.com/global/en/pressrelease/siemens-wind-down-russian-business>

Siemens is working on the renewal of the current EAC certificates.

Please contact your local Siemens office on the status of validity of the EAC certification if you intend to import or offer to supply these products to an EAC relevant market (other than the sanctioned EAEU member states Russia or Belarus).

Information on the packaging

<https://support.industry.siemens.com/cs/ww/en/view/109813875>

Information- and Downloadcenter (Catalogs, Brochures,...)

<https://www.siemens.com/ic10>

Industry Mall (Online ordering system)

<https://mall.industry.siemens.com/mall/en/en/Catalog/product?mlfb=3RA6913-1A>

Cax online generator

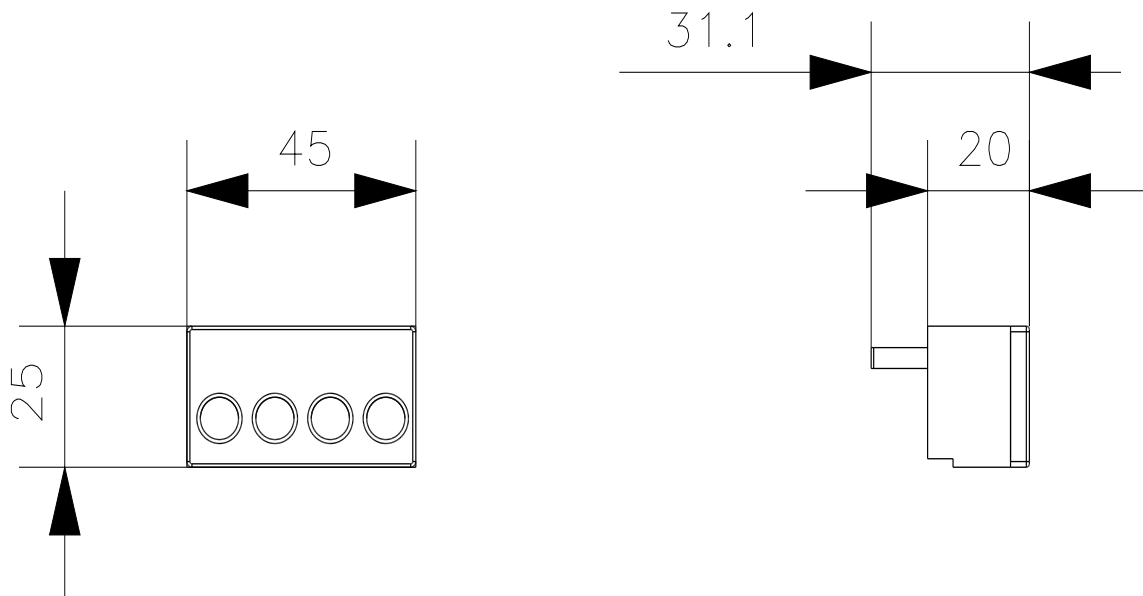
<http://support.automation.siemens.com/WW/CAXorder/default.aspx?lang=en&mlfb=3RA6913-1A>

Service&Support (Manuals, Certificates, Characteristics, FAQs,...)

<https://support.industry.siemens.com/cs/ww/en/ps/3RA6913-1A>

Image database (product images, 2D dimension drawings, 3D models, device circuit diagrams, EPLAN macros, ...)

http://www.automation.siemens.com/bilddb/cax_de.aspx?mlfb=3RA6913-1A&lang=en



last modified:

1/21/2021

