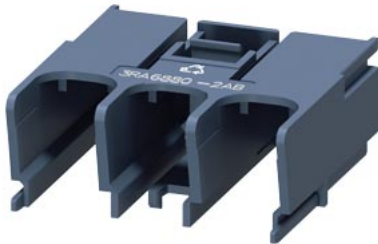


Terminal covers (2 units) for 3-phase infeed 25/35 mm² 3RA6812-8AB/AC 1 bag contains 2 covers



General technical data				
product brand name		SIRIUS		
product designation		Terminal cover screw-type infeeds		
protection class IP on the front according to IEC 60529		IP00		
degree of pollution		3		
installation altitude at height above sea level maximum	m	2 000		
ambient temperature				
• during transport	°C	-55 ... +80		
• during storage	°C	-55 ... +80		
• during operation	°C	-20 ... +60		
vibration resistance		f = 4 to 5.8 Hz; d = 15 mm; f = 5.8 to 500 Hz; a = 2 m / s ² 10 cycles		
shock resistance		Semi-sinusoidal a = 6 m/s ² at 10 ms; 3 pos. and 3 neg. Shock in all axes		
Installation/ mounting/ dimensions				
fastening method		snap-on mounting		
width	mm	45		
height	mm	45		
depth	mm	18		
Certificates/ approvals				
General Product Approval	EMC	Declaration of Conformity	Marine / Shipping	other

[Confirmation](#)



[Confirmation](#)

Further information

Siemens has decided to exit the Russian market (see here).

<https://press.siemens.com/global/en/pressrelease/siemens-wind-down-russian-business>

Siemens is working on the renewal of the current EAC certificates.

Please contact your local Siemens office on the status of validity of the EAC certification if you intend to import or offer to supply these products to an EAC relevant market (other than the sanctioned EAEU member states Russia or Belarus).

Information on the packaging

<https://support.industry.siemens.com/cs/ww/en/view/109813875>

Information- and Downloadcenter (Catalogs, Brochures,...)

<https://www.siemens.com/ic10>

Industry Mall (Online ordering system)

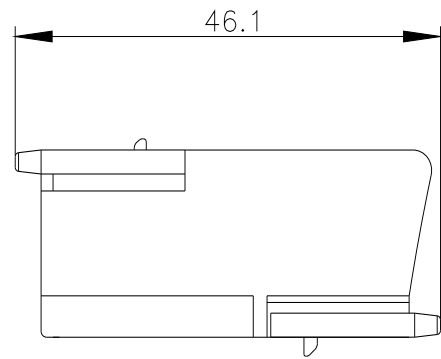
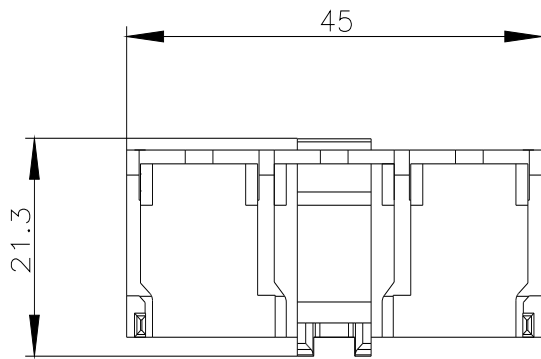
<https://mall.industry.siemens.com/mall/en/en/Catalog/product?mlfb=3RA6880-2AB>

Cax online generator

<http://support.automation.siemens.com/WW/CAXorder/default.aspx?lang=en&mlfb=3RA6880-2AB>

Service&Support (Manuals, Certificates, Characteristics, FAQs,...)

<https://support.industry.siemens.com/cs/ww/en/ps/3RA6880-2AB>



last modified:

1/18/2021 