

# Accessories for BR 50

## MULTI-LED BA15D AND FILAMENT LAMPS

LED lamps – the long-lasting alternative to filament bulbs.

- durable, shock and vibration tolerant with service life exceeding 50,000 hrs.
- low power consumption (e.g. 30 mA at 24 V).
- “plus” versions for extra brightness include additional surface mount LEDs on board.

VERSION		ARTICLE NO. 230 V AC <sup>1</sup>	ARTICLE NO. 24 V AC/DC
●	LED standard plus	28213000013	
●	LED standard	28213000014	28213000006
●	LED standard plus		28213000007
●	LED standard	28213000015	
●	LED standard plus		28213000009
●	LED standard	28213000016	
●	LED standard plus	28213000017	
●	LED standard	28213000018	28213000011
●	LED standard plus	28213000019	
●	LED standard	28213000020	28213000012
	BR50-L 7 W	28213000004	28213000000
Filament lamp	BR50-L 5 W	28213000005	28213000001



<sup>1</sup> not for blinking light module BR 50-BL, article numbers upon request.

## LAMP REMOVER

Lamp tool for simple bulb installation or removal.

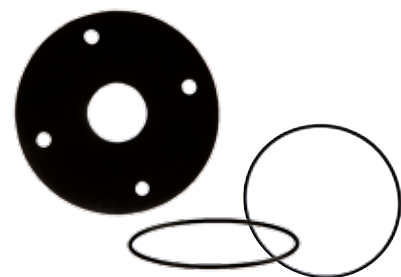
		ARTICLE NO.
Lamp remover	BR50-LS	28250250000



## GASKETS

Module o-rings and mounting gaskets to achieve IP 65 ingress protection for outdoor and wash-down applications.

		ARTICLE NO.
Direct mounting set	BR50-BG	28250210000
Module gasket IP 65 (1 x per light module plus 1 x base module)	BR50-MG	28250220000
Tube gasket IP 65 (for tubular stand or tube mounting only)	BR50-TG	28250230000



## WALL BRACKET WITH HOOD

Accommodates wall mounting of the BR 50 on a tubular stand.

		ARTICLE NO.
Wall bracket	BR50-W	28250200000



# Signal Towers

## BR 35

**Compact machinery status indicator**

35 mm diameter complements industrial machinery while offering excellent visibility.

**Modular design**

Simplifies configuration and assembly of a wide variety of lens colour options.

**Prismatic lenses**

Provide dispersion of light for high visibility from all sides. High impact resistant polycarbonate material.

**Satisfies many requirements**

Provides machinery and process status indication for production lines, laboratories, medical equipment, and conveyor systems.



**Patented design**

no. 9706583.8, utility patent no. 29716867.3.

**Choice of lamp type**

Supports filament bulbs or LED lamps.



[www.pss-pfannenber.com](http://www.pss-pfannenber.com)

Pfannenber's PSS software tool provides easy signal tower configuration to suit individual requirements.

# SIGNAL TOWERS



protection system



LED




filament lamp



## PRODUCT

## BR 35

### DATA

Rated voltage	230 V	24 V
	AC 50   60 Hz	DC
Operating range	-15 % ... +10 %	-15 % ... +20 %
Capacity of light source	3 W	4 W
Light source	AC	BA9s, 3 W (previously installed)
	DC	BA9s, max. 4 W (previously installed)
Number of modules	max. 4	
Operating temperature	LED	-35 °C ... +55 °C
	filament lamp	-35 °C ... +45 °C
Protection system according to EN 60529	IP 54	
Service life of light source	approx. 1,000 hrs	
Material	lens	 polycarbonate (PC)
	housing	acrylonitrile butadiene styrene (ABS)
	tube	stainless steel
Type of connection	cable length 0.5 m tube mounting; 0.65 m panel mounting	
Mounting methods	mounting stand, plinth mounting, tube mounting, panel mounting (see drawings on page 103)	

For additional models, options and voltages visit [www.pfannenberg.com](http://www.pfannenberg.com) or contact us directly.



Further models on request

BR 35 in 12 V DC and 115 V AC.



Webcode  
**#3138**

Comprehensive technical documentation such as

- operating instructions, technical data, approvals
- support for planning, 3D models, CAD data

can be retrieved by entering this webcode in the search window on [www.pfannenberg.com](http://www.pfannenberg.com)

BR 35 MOUNTING STAND		ARTICLE NO.	
Version		230 V AC	24 V DC
1-stage	BR 35-1-S	22080101000	22080801000
2-stage	BR 35-2-S	22080102000	22080802000
3-stage	BR 35-3-S	22080103000	22080803000
4-stage	BR 35-4-S	22080104000	22080804000
3-stage with fixed colour order: top: ●, middle: ●, bottom: ●		22080100000	22080800000
BR 35 PLINTH MOUNTING		ARTICLE NO.	
Version		230 V AC	24 V DC
1-stage	BR 35-1-P	22081101000	22081801000
2-stage	BR 35-2-P	22081102000	22081802000
3-stage	BR 35-3-P	22081103000	22081803000
4-stage	BR 35-4-P	22081104000	22081804000
BR 35 TUBE MOUNTING		ARTICLE NO.	
Version		230 V AC	24 V DC
1-stage	BR 35-1-T	22082101000	22082801000
2-stage	BR 35-2-T	22082102000	22082802000
3-stage	BR 35-3-T	22082103000	22082803000
4-stage	BR 35-4-T	22082104000	22082804000
BR 35 PANEL MOUNTING		ARTICLE NO.	
Version		230 V AC	24 V DC
1-stage	BR 35-1-PM	22083101000	22083801000
2-stage	BR 35-2-PM	22083102000	22083802000
3-stage	BR 35-3-PM	22083103000	22083803000
4-stage	BR 35-4-PM	22083104000	22083804000

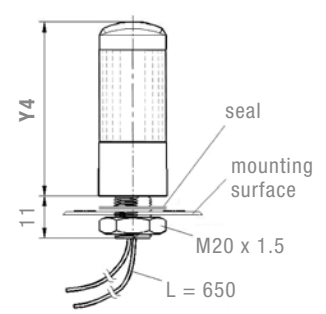
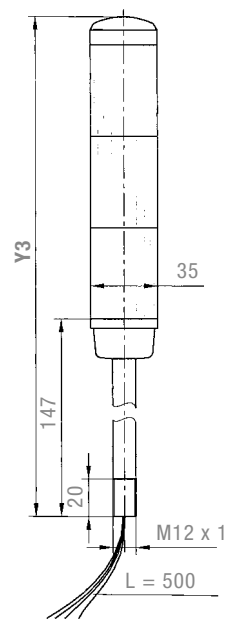
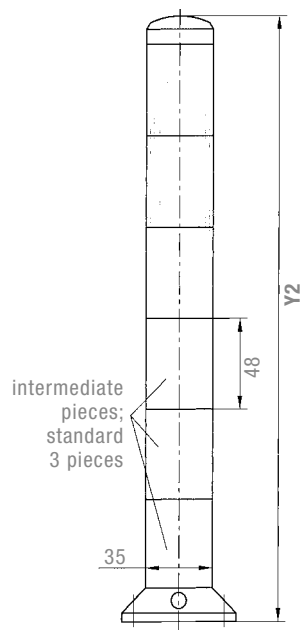
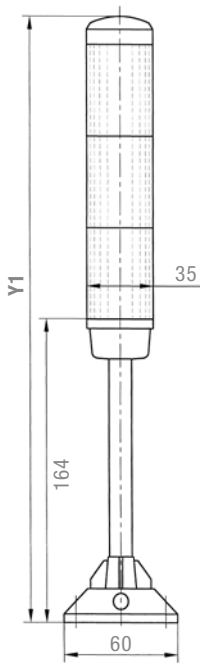
Article numbers for other voltages on request.

OPTIONS   ACCESSORIES		ARTICLE NO.
Product		
Plastic mounting bracket for stand- or plinth mounting	BR35-W	28235200020
Metal mounting bracket for tube mounting	BR35-A	28235200010
Assembly kit for sounder module		28235808000

## Ordering examples

Mounting stand	Plinth mounting	Tube mounting	Panel mounting
<p>3-stage BR 35 mounting stand 24 V DC, colour order:</p> <p>A = ● B = ● C = ●</p> <p>Article no.: 22080803000</p>	<p>3-stage BR 35 plinth mounting 230 V AC, colour order:</p> <p>A = ● B = ● C = ●</p> <p>Article no.: 22081103000</p>	<p>3-stage BR 35 tube mounting 24 V DC, colour order:</p> <p>A = ● B = / C = ●</p> <p>Article no.: 22082803000</p>	<p>1-stage BR 35 panel mounting 230 V AC, colour order:</p> <p>A = ●</p> <p>Article no.: 22083101000</p>
<p>Please indicate color sequence (A/B/C/D) in your order as depicted above.</p>			

**MOUNTING STAND      PLINTH MOUNTING      TUBE MOUNTING      PANEL MOUNTING**



	Y1	Y2	Y3	Y4
<b>1-stage</b>	228	228	210	91
<b>2-stage</b>	276	276	258	142
<b>3-stage</b>	324	324	306	190
<b>4-stage</b>	372	372	354	238
<b>5-stage</b>	420	420	402	286

## Accessories for BR 35

### LIGHT SOURCE

Filament lamps and LEDs for signal towers from the BR 35 series.

			ARTICLE NO.
●	LED	24 V AC/DC	28613000000
●	LED	24 V AC/DC	28613000001
●	LED	24 V AC/DC	28613000002
●	LED	24 V AC/DC	28613000003
●	LED	24 V AC/DC	28613000004
Filament lamp	pack of 5	230 V AC 3 W	28813000000
Filament lamp	pack of 5	115 V AC 3 W	28813000001
Filament lamp	pack of 5	24 V DC 4 W	28813000002
Filament lamp	pack of 5	12 V DC 4 W	28813000003



### MOUNTING BRACKET

Bracket for mounting the BR 35.

		ARTICLE NO.
Metal bracket for tube mounting	BR 35-A	28235200010
Plastic bracket for mounting on tubular stand or plinth	BR 35-W	28235200020

