

# PATROL FLASHING SOUNDERS 105/107 dB(A) / 5/10 J PA X 1-05 / PA X 5-05 / PA X 5-10



reddot design award  
winner 2013

PATROL – the new generation of sounder/flashing light combinations. Three dimensional innovation.

- Safe – an incorrect installation is virtually impossible.
- Easy – significantly shorter assembly and installation times.
- Economical – extremely high efficiency and good penetration of acoustical obstacles significantly reduce the required number of sounders.
- Pre-wired sounder and light ex works.
- Various light intensities available to support best match of audible and visual coverage.



protection system



impact-proof housing



operating temperature



acoustic penetration



external tone selection



PA X 1-05  
24 V DC



PA X 1-05  
24 V DC



PA X 1-05  
24 V DC



warranty



connector (option)

## PRODUCT PA X 1-05

### DATA

Operating range	187–255 V	90–135 V	18–30 V	40–60 V	18–30 V	12–15 V
	AC 50   60 Hz			DC		
Nominal current consumption <sup>1</sup>	65–70 mA @ 230 V	110–130 mA	315–365 mA @ 24 V	190–150 mA	315–365 mA	610–625 mA

## PRODUCT PA X 5

### DATA

Operating range	187–255 V	90–135 V	18–30 V	40–60 V	18–30 V	12–15 V
	AC 50   60 Hz			DC		
Nominal current consumption <sup>1</sup>	5 J 65–70 mA @ 230 V	110–130 mA	315–365 mA @ 24 V	190–150 mA	315–365 mA	610–625 mA
	10 J 150–155 mA	250–260 mA	1460–1520 mA	320–380 mA	565–620 mA	1200–1220 mA

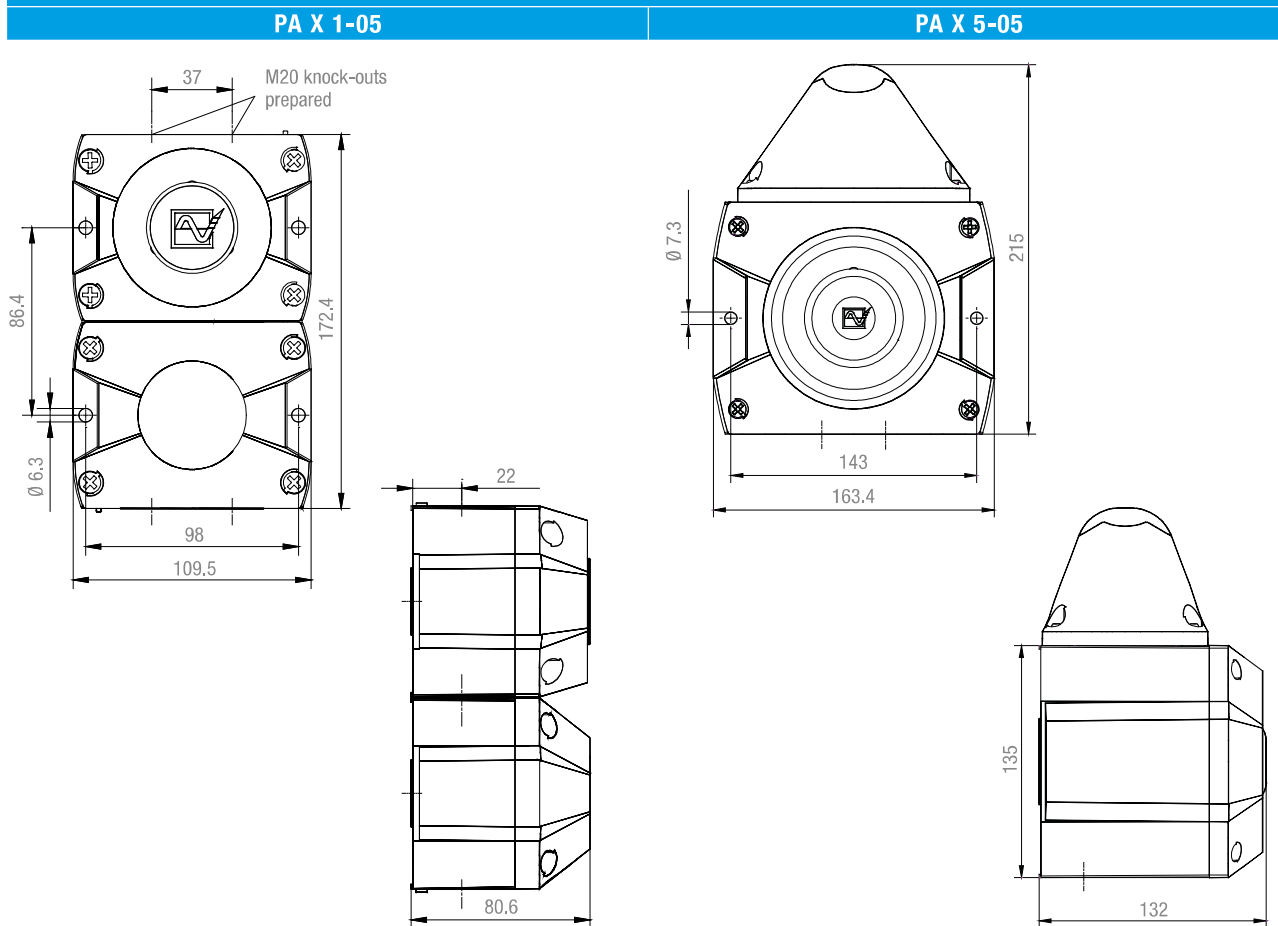
## PRODUCT PA X 1-05 PA X 5-05 PA X 5-10

Sound pressure level	105 dB(A)	107 dB(A)	107 dB(A)
Sound pressure level @DIN-tone	104 dB(A)	105 dB(A)	105 dB(A)
Sound level reduction	max. –16 dB via potentiometer		
Alarm tones	80 / 4 tones are externally selectable		
Flash energy and flash rate	5 J @ 1 Hz = 60 flashes/min	5 J @ 1 Hz = 60 flashes/min	10 J @ 1 Hz = 60 flashes/min
Light intensity (DIN 5037) <sup>2</sup>	50 cd	56 cd	149 cd
Max. viewing distance	164 m	173 m	283 m
Operating temperature	–40 °C ... +55 °C		
Relative humidity	90 %		
Protection system (EN 60529)	IP 66		
Protection class	II		
Service life of the light source	light emission still 70 % after 8,000,000 flashes		
Material	sounder	PC / ABS blend similar to RAL 3000 (flame red) / RAL 7035 (light grey) / RAL 9003 (signal white)	
	lens flashing light	polycarbonate (PC)	
Cable entry	3x M20 knock-outs prepared (on side), 1 knock-out on back		
Integrated seal with cable entry	6–13 mm (feed-through grommet)		
Connecting terminals	2.5 mm <sup>2</sup> fine wire with cable end sleeve, AWG 16		
Weight	AC	725 g	983 g
	DC	560 g	800 g

<sup>1</sup> power consumption dependent on operating voltage

<sup>2</sup> with a clear lens

**DIMENSIONS**



**OPTIONS/ACCESSORIES**



PA X 1-05 SSM, 24 V DC

ARTICLE NO.		PA X 1-05			PA X 5-05		
HOUSING COLOUR	LENS COLOUR	230 V AC	115 V AC	24 V DC	230 V AC	115 V AC	24 V DC
●	↗	23311101000	23311151000	23311801000 <sup>1</sup>	23351101000	23351151000	23351801000
●	●	23311103000	23311153000	23311803000	23351103000	23351153000	23351803000
●	●	23311104000	23311154000	23311804000	23351104000	23351154000	23351804000
●	●	23311105000	23311155000	23311805000 <sup>1</sup>	23351105000	23351155000	23351805000
●	↗	23311101055	23311151055	23311801055 <sup>1</sup>	23351101055	23351151055	23351801055
●	●	23311103055	23311153055	23311803055	23351103055	23351153055	23351803055
●	●	23311104055	23311154055	23311804055	23351104055	23351154055	23351804055
●	●	23311105055	23311155055	23311805055 <sup>1</sup>	23351105055	23351155055	23351805055

Article numbers for other voltages and versions on request.

<sup>1</sup> Version with EN 54-23 approval.

ARTICLE NO.		PA X 1-05	PA X 5-05
Enclosure fitting	For connection (daisy-chaining) of several sounders of the PATROL series.	28300000003	
Surface gasket	Sealing of the sounder installation surface when, e.g. cable entry is executed from the back.	28300000004	28300000005
Tamper-proof sealing (pack of 4)	Anti-tamper sealing for fasteners of the PATROL devices after installation in order to prevent manipulation of the devices.		28300000002