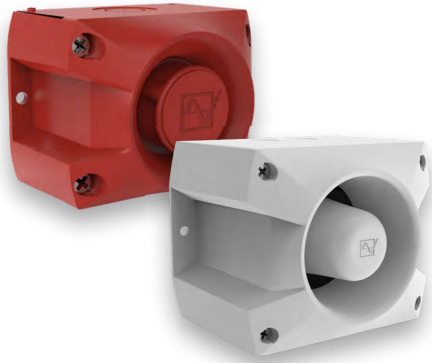


PATROL SOUNDERS 105/107 dB(A) PA 1 / PA 5



PATROL – the new generation of sounders.
Three dimensional innovation.

- Safe; an incorrect installation is virtually impossible.
- Easy; significantly shorter assembly and installation times.
- Economical; extremely high efficiency and good penetration of acoustical obstacles significantly reduce the required number of sounders.

protection system	impact-proof housing	operating temperature	acoustic penetration	external tone selection	inrush current limitation	24-48 V DC	24-48 V DC		warranty		connector (option)

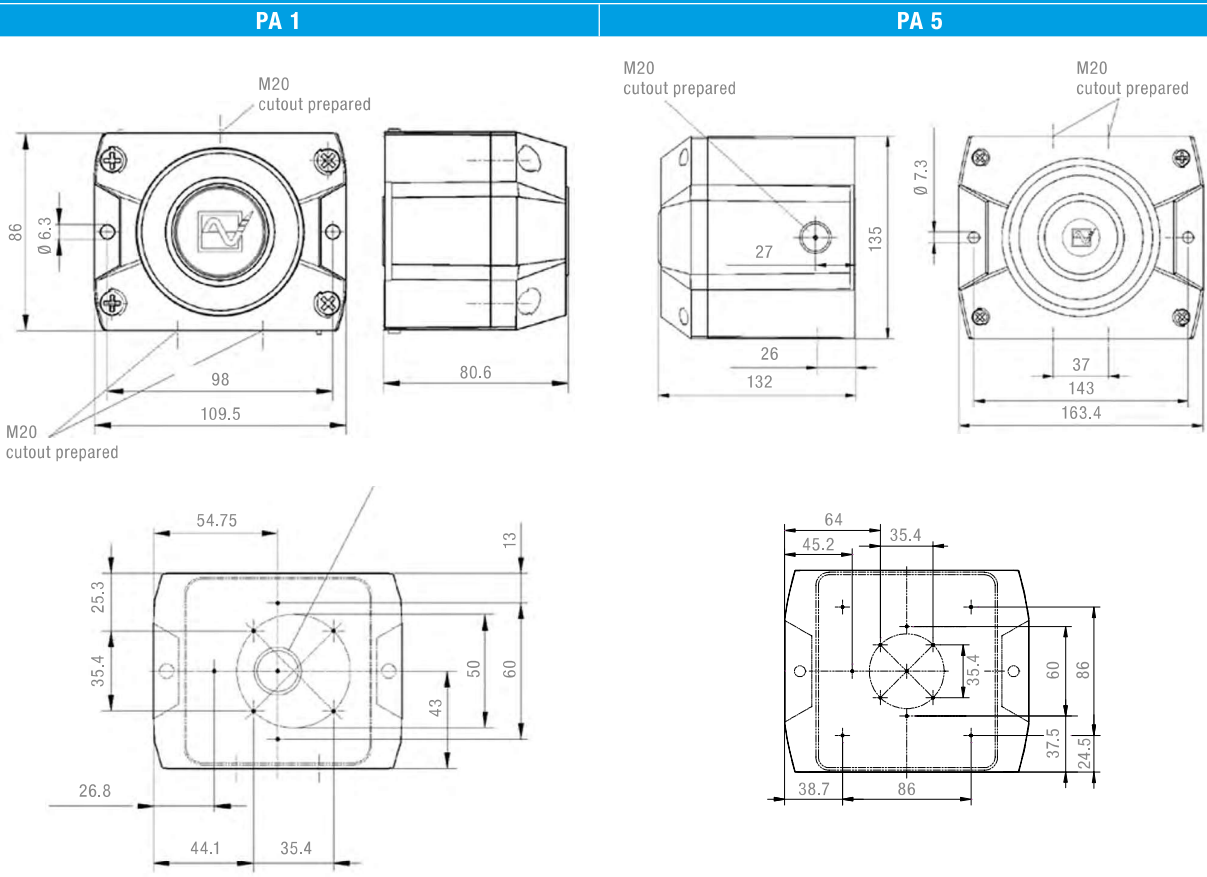
PRODUCT	PA 1				PA 5			
DATA								
Operating range	195-253 V	95-127 V	18-30 V	10-57 V	195-253 V	95-127 V	18-30 V	10-57 V
	AC 50 60		AC	DC	AC 50 60		AC	DC
Nominal current consumption ¹ (max)	16 mA	30 mA	150 mA	80 mA	16 mA	30 mA	150 mA	80 mA
Sound pressure level	105 dB(A)				107 dB(A)			
Sound pressure level @DIN-tone	104 dB(A)				105 dB(A)			
Sound level reduction	max. -12 dB via potentiometer							
Alarm tones	80 thereof 4 tones are externally selectable							
Operating temperature	-40 °C ... +55 °C							
Storage temperature	-40 °C ... +70 °C							
Relative humidity	90 %							
Protection system according to EN 6052	IP 66 (EN 60529), NEMA Type 4 & 4x							
Protection class	II							
Duty cycle	100 %							
Material	PC / ABS blend similar to RAL 3000 (flame red) RAL 7035 (light grey) RAL 9003 (signal white)							
Cable entry	3x M20 knock-outs on side, 1 knock-out on back				5x M20 knock-outs on side, 1 knock-out on back			
Integrated seal with cable entry	7-13 mm (Feed-through grommet)							
Connecting terminals	0.14 - 2.5mm ² fine stranded / AWG24 - AWG 14							
Weight	405 g		270 g		778 g		643 g	

¹Power consumption dependent on operating voltage.

OPTIONS/ACCESSORIES

			inrush current limitation				

DIMENSIONS



ARTICLE NO.	PA 1			PA 5		
	230 V AC	115 V AC	10-57 V DC	230 V AC	115 V AC	10-57 V DC
Standard housing red	23310100000	23310150000	23310630000	23350100000	23350150000	23350630000
GL/MED housing red	23310100001	23310150001	23310630001	23350100001	23350150001	23350630001
Standard housing grey	23310100055	23310150055	23310630055	23350100055	23350150055	23350630055
GL/MED housing grey	23310100056	23310150056	23310630056	23350100056	23350150056	23350630056

Article numbers for other voltages and versions on request.

ARTICLE NO.		PA 1	PA 5
Gehäuseverbinder	For connection (daisy-chaining) of several sounders of the PATROL series.	28300000003	28300000003
Flächendichtung	Sealing of the sounder installation surface when, e. g. cable entry is executed from the back.	28300000004	28300000005
Plombierstopfen (4er Pack)	Anti-tamper sealing for fasteners of the PATROL devices after installation in order to prevent manipulation of the devices.	28300000002	28300000002
Schalttafeleinbaukit PATROL	The PATROL devices are also suitable for panel mounting. This kit consists of a plug connector for the electrical contact, as well as all installation materials.	28300000007	28300000007
Replacement locking bolts, pack of 4		28912000000	28912000000