

SAI-8-M 4P M8**Weidmüller Interface GmbH & Co. KG**

Klingenbergstraße 26

D-32758 Detmold

Germany

www.weidmueller.com

Similar to illustration

The new M8 hood distribution boxes are extremely compact and feature a comfortable PUSH IN connection. This allows a quick, safe and efficient cabling in the field. A modular system is available for our hood distributors. Individual markers offer the possibility of individual labeling of the distributor and the I/O sockets.

- 3- and 4-pole M8 I/O sockets
- 4, 6, 8 or 10 I/O sockets
- Protection class IP 67
- UL approval

General ordering data

Version	SAI Passive, Sensor-actuator passive distributor, M8, Hood version, Yes
Order No.	1784690000
Type	SAI-8-M 4P M8
GTIN (EAN)	4032248191505
Qty.	1 pc(s).

SAI-8-M 4P M8

Weidmüller Interface GmbH & Co. KG

Klingenbergstraße 26

D-32758 Detmold

Germany

www.weidmueller.com

Technical data

Dimensions and weights

Depth	107 mm	Depth (inches)	4.213 inch
Height	62.2 mm	Height (inches)	2.449 inch
Width	48 mm	Width (inches)	1.89 inch
Net weight	240 g		

Temperatures

Operating temperature	-20 - 80°C
-----------------------	------------

Environmental Product Compliance

REACH SVHC	Lead 7439-92-1
------------	----------------

Connection data

Clamping range, min.	0.08 mm ²	Clamping range, max.	1 mm ²
Storage space	Standard	Distributor outlet	Hood version
Connection type PE	Screw connection		

Electrical data

Rated voltage, min.	10 V	Rated voltage, max.	30 V
Test voltage	1 kV	Max. current-carrying capacity per slot	2 A
Total current	8 A	Current per signal	2 A
Insulation strength	10 ⁹ Ω		

General technical data

Protection degree	IP68	Number of poles	4
Number of contact sockets	8	Connection thread	M8
Pollution severity	3	Fire behaviour	V-0
LED	Yes	LED initiator	Yes
LED colour for indicating operation	green	LED colour for I/O function	yellow

Material data

Material O-Ring	FKM	Housing main material	PBT
Material of distributor	Plastic	Housing colour	black (similar to RAL 9005)
Screw socket	Nickel-plated CuZn	Contact material	CuZn
Contact surface	Gold-plated	Contact carrier material	PBT (UL 94 V0)

Technical data cable

Number of poles	4	Suitable for cable carriers	No
-----------------	---	-----------------------------	----

Classifications

ETIM 6.0	EC002585	ETIM 7.0	EC003558
ETIM 8.0	EC003558	ECLASS 9.0	27-44-01-08
ECLASS 9.1	27-44-01-08	ECLASS 10.0	27-44-01-11
ECLASS 11.0	27-44-01-11	ECLASS 12.0	27-44-01-11

Data sheet**SAI-8-M 4P M8**

Weidmüller Interface GmbH & Co. KG
Klingenbergstraße 26
D-32758 Detmold
Germany

www.weidmueller.com

Technical data**Approvals**

Approvals



ROHS	Conform
UL File Number Search	E92202

Downloads

Engineering Data	CAD data – STEP
Engineering Data	WSCAD
Catalogues	Catalogues in PDF-format
Brochures	FL FIELDWIRING EN FL FIELDWIRING EN

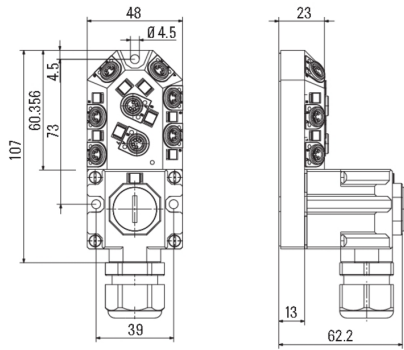
SAI-8-M 4P M8

Weidmüller Interface GmbH & Co. KG
Klingenbergstraße 26
D-32758 Detmold
Germany

www.weidmueller.com

Drawings

Dimensioned drawing



Wiring diagram

