

PF 32.000 | PFA 30.000

ECOOL FILTERFAN | EXHAUST FILTER 98–110 m³/h

- installation size 3, air flow rate up to 110 m³/h
- system of protection IP 54 and IP 55, NEMA type 12
- UL, cUL approval
- UV-resistance (IP 55 version)



PRODUCT		PF 32.000				
ARTICLE NO.	IP 54	11632101055	11632151055	11632801055	11632701055	Unit
ARTICLE NO.	IP 55	11632103055	11632153055	11632803055		

DATA						
Rated voltage ±10 %		AC 50 60 Hz		DC		
		230	115	24	48	V
Unimpeded airflow	IP 54	98 108		98		m³/h
	IP 55	100 110		100		
Airflow rate in comb. with exhaust filter	IP 54	73 80		73		
	IP 55	55 64		55		
Power consumption		19 18	20 20	5		W
Current consumption		0.12 0.18	0.24 0.23	0.21	0.1	A
Noise level according to EN ISO 3741		40 40		40		dB (A)
Weight		0.87		0.61		kg
Type of connection		terminal strip		cable, 2-core, length 310 mm		
Fuse		6				A
System of protection according to EN 60529 / UL 50	IP 54	NEMA type 12 - standard filter				
	IP 55	NEMA type 12 - fluted filter				
Filtration efficiency	IP 54	88				%
	IP 55	91				
Filter mat quality class according to EN 779	IP 54	G 3				
	IP 55	G 4				
Duty cycle		100				%
Bearing type		sleeve bearing		ball bearing		
Service life L ₁₀ (+ 40 °C) ¹		37500	40000	62500		h
Temperature range		-40 ... +55 -40 ... +131				°C °F
Design (housing and protection against accidental contact)	IP 54	made of injection-moulded thermoplastic, self-extinguishing, UL 94 VO				
	IP 55	additional: UV-resistant				
Colour		RAL 7035 different colours available on request				

ACCESSORIES		ARTICLE NUMBER
Exhaust filter	gray	11730001055
Exhaust filter	black	11730001050
Spare filter mats	5 pieces	18611600031
Thermostat		17121000000
Hygrostat		17207000000
Rainhood in stainless steel		18102000017

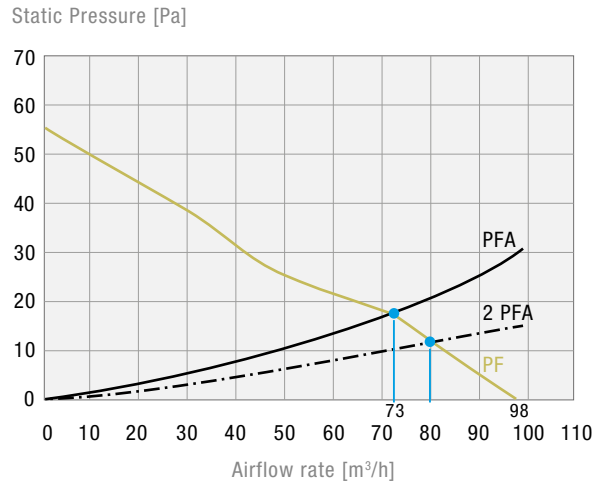
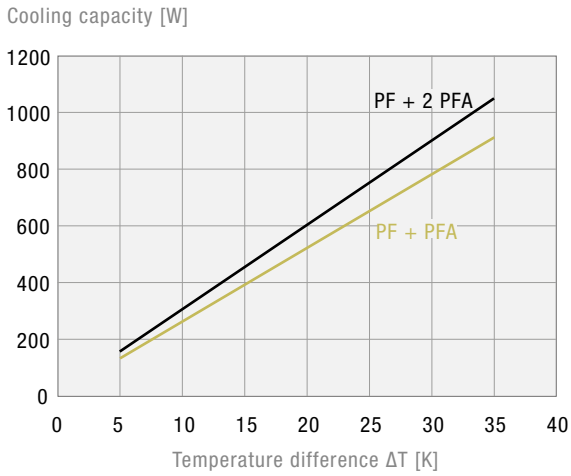
For additional models, options and voltages visit www.pfannenber.com or contact us directly.

¹ fan failure is defined as being when the current and speed deviate or the operating noises are out of the ordinary

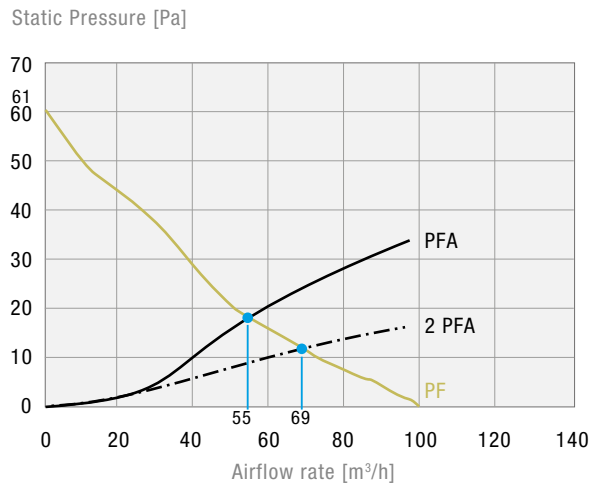
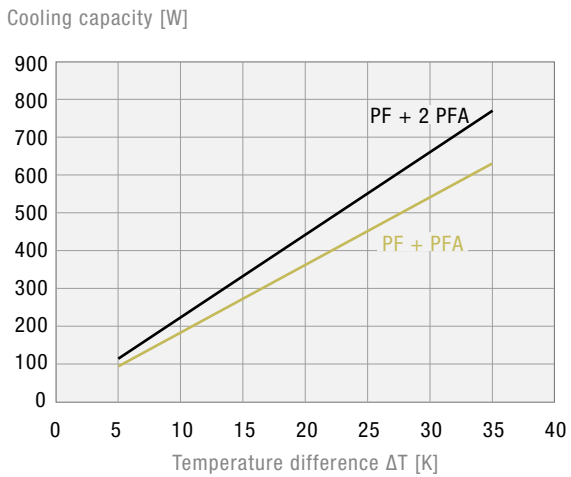
Cooling capacity performance curves

Static pressure performance curve

PF 32.000 IP 54

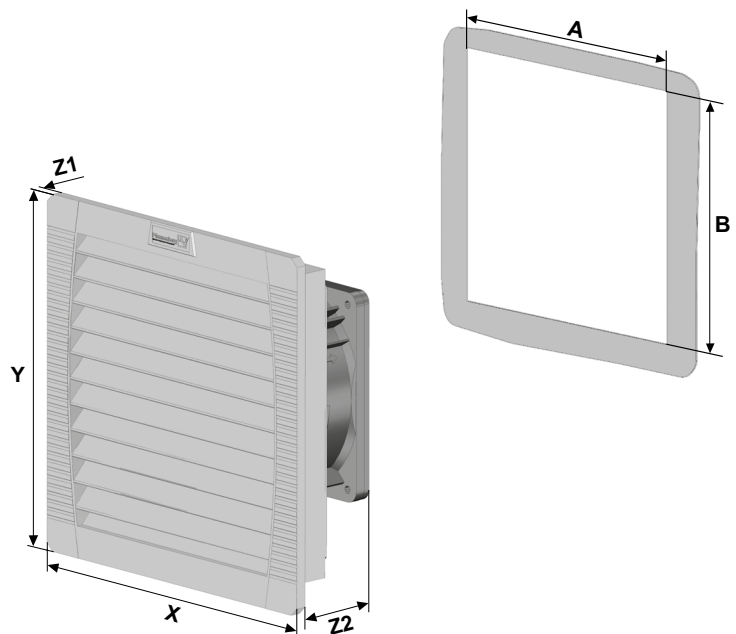


PF 32.000 IP 55



Dimensions

mm	PF 32.000		PFA 30.000
	AC	DC	
X	202	202	202
Y	202	202	202
Z1	6	6	6
Z2	87	81	34
A¹	177	177	177
B¹	177	177	177



¹ for material thicknesses up to 2 mm
+ 1 mm for thickness of material > 2 mm ≤ 3 mm