

DRR370220L

Weidmüller Interface GmbH & Co. KG

Klingenbergstraße 26

D-32758 Detmold

Germany

www.weidmueller.com

Product image



Similar to illustration

Individual relays within the D-SERIES DRR

- 3 CO contacts
- Optional AC or DC coils
- With integrated status LED

General ordering data

| | |
|---------------------|--|
| Version | D-SERIES DRR, Relay, Number of contacts: 3, CO contact AgCdO, Rated control voltage: 220 V DC, Continuous current: 10 A, Plug-in connection, Test button available: No |
| Order No. | 1133560000 |
| Type | DRR370220L |
| GTIN (EAN) | 4032248952984 |
| Qty. | 10 pc(s). |
| Delivery status | This article will no longer be available in the future. |
| Available until | 2021-04-30 |
| Alternative product | 2765200000 |

Creation date May 24, 2022 8:24:14 AM CEST

DRR370220L
Weidmüller Interface GmbH & Co. KG

Klingenbergstraße 26

D-32758 Detmold

Germany

www.weidmueller.com

Technical data

Dimensions and weights

| | | | |
|------------|---------|-----------------|------------|
| Depth | 66 mm | Depth (inches) | 2.598 inch |
| Height | 34.5 mm | Height (inches) | 1.358 inch |
| Width | 34.5 mm | Width (inches) | 1.358 inch |
| Net weight | 75 g | | |

Temperatures

| | | | |
|---------------------|---|-----------------------|----------------|
| Storage temperature | -25 °C...55 °C | Operating temperature | -25 °C...55 °C |
| Humidity | 5...85 % rel. humidity, no condensation | | |

Environmental Product Compliance

| | |
|------------|----------------|
| REACH SVHC | Lead 7439-92-1 |
|------------|----------------|

Rated data UL

| | |
|-------------------------|---------|
| Certificate No. (cURus) | E312083 |
|-------------------------|---------|

Control side

| | | | |
|-----------------------|----------------|--------------------------------|-----------------|
| Rated control voltage | 220 V DC | Rated current DC | 7.6 mA |
| Power rating | 1.5 W | Pull-in/drop-out voltage, typ. | 165 V / 33 V DC |
| Coil resistance | 29500 Ω ± 10 % | Coil tolerance | 10 % |
| Status indicator | Green LED | | |

Load side

| | | | |
|---|----------------------|---|---------------------------------------|
| Rated switching voltage | 250 V AC | Continuous current | 10 A |
| Max. switching frequency at rated load | 0.1 Hz | Inrush current | 50 A / 50 ms |
| AC switching capacity (resistive), max. | 2500 VA | DC switching capacity (resistive), max. | 240 W @ 24 V |
| Switch-on delay | < 30 ms | Switch-off delay | < 20 ms |
| Contact type | 3 CO contact (AgCdO) | Mechanical service life | 10 x 10 ⁶ switching cycles |
| Min. switching power | 100 mA @ 12 V | | |

General data

| | | |
|--------------------------------------|--------------------------|------------------------|
| Test button available | No | |
| Mechanical switch position indicator | Yes | |
| Colour | Transparent | |
| UL94 flammability rating component | Component | Relay status indicator |
| | UL94 flammability rating | HB |
| | Component | Relay baseplate |
| | UL94 flammability rating | V-0 |
| | Component | Relay cover |
| | UL94 flammability rating | V-2 |

DRR370220L

Weidmüller Interface GmbH & Co. KG

Klingenbergstraße 26

D-32758 Detmold

Germany

www.weidmueller.com

Technical data

Insulation coordination

| | | | |
|---|--------------------------------|--|--------------------------------|
| Rated voltage | 250 V | Pollution severity | 3 |
| Surge voltage category | III | Insulating material group | IIIa |
| Clearance and creepage distances for control side - load side | ≥ 3 mm | Dielectric strength for control side - load side | 2.5 kV _{eff} / 1 Min. |
| Dielectric strength of neighbouring contacts | 1.2 kV _{eff} / 1 min. | Dielectric strength of open contact | 1.2 kV _{eff} / 1 min. |
| Impulse withstand voltage | 4 kV (1.2/50 µs) | Protection degree | IP20 |

Further details of approvals / standards

| | | | |
|-----------|--|-------------------------|---------|
| Standards | IEC 61810-1, EN 60664-1:2007, EN 61000-6-2:2005, EN 61000-6-4:2007 + A1:2011, UL 508 | Certificate No. (cURus) | E312083 |
|-----------|--|-------------------------|---------|

Connection data

| | |
|------------------------|--------------------|
| Wire connection method | Plug-in connection |
|------------------------|--------------------|

Classifications

| | | | |
|-------------|-------------|-------------|-------------|
| ETIM 6.0 | EC001437 | ETIM 7.0 | EC001437 |
| ETIM 8.0 | EC001437 | ECLASS 9.0 | 27-37-16-01 |
| ECLASS 9.1 | 27-37-16-01 | ECLASS 10.0 | 27-37-16-01 |
| ECLASS 11.0 | 27-37-16-01 | ECLASS 12.0 | 27-37-16-01 |

Important note

| | |
|---------------------|--|
| Product information | This article uses an exemption named in Annex III of the RoHS Directive 2011/65/EU "8b - Cadmium and cadmium compounds in electrical contacts", which could only be valid until 21.07.2021, depending on the product category. Please check whether you can use this article depending on the place of marketing and the product category concerned. Alternative product with modified contact material: |
|---------------------|--|

Approvals

Approvals



| | |
|-----------------------|---------|
| ROHS | Conform |
| UL File Number Search | E312083 |

Downloads

| | |
|-----------------------------|--|
| Engineering Data | CAD data – STEP |
| Engineering Data | EPLAN, WSCAD |
| Product Change Notification | Product Change Notification - Deutsch Product Change Notification - English |
| Catalogues | Catalogues in PDF-format |
| Brochures | |

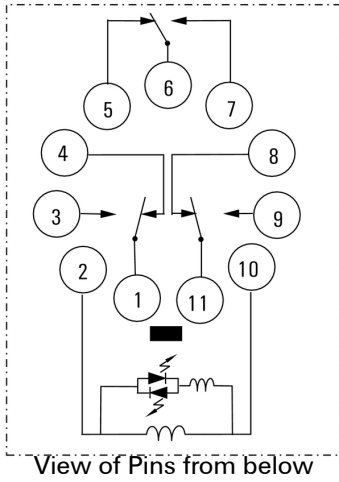
Creation date May 24, 2022 8:24:14 AM CEST

Catalogue status 06.05.2022 / We reserve the right to make technical changes.

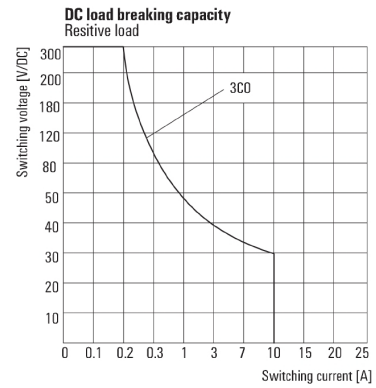
3

Drawings

Wiring diagram

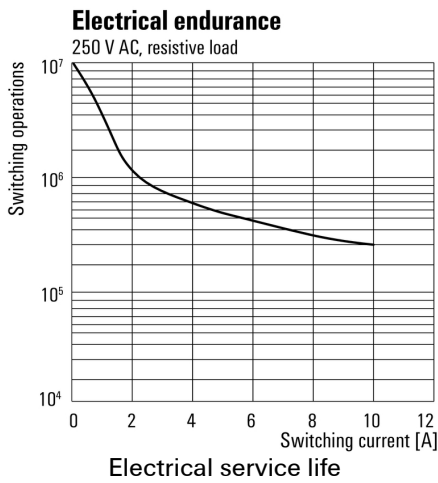


Graph

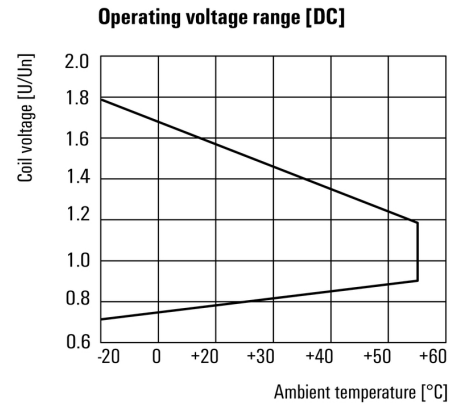


DC load limit curve
Resistive load

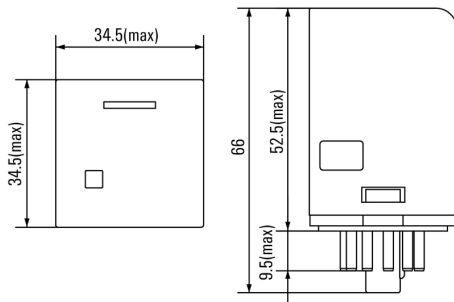
Graph



Graph



Dimensional drawing



Data sheet

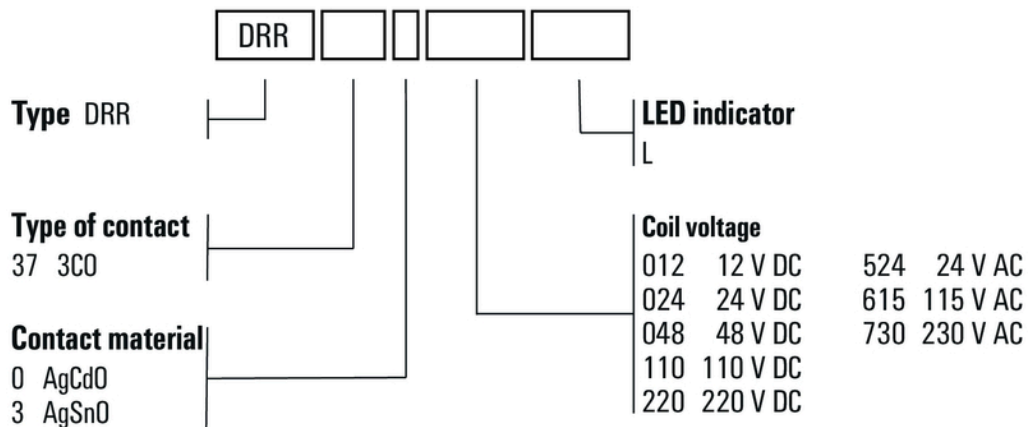
DRR370220L

Weidmüller Interface GmbH & Co. KG
 Klingenbergstraße 26
 D-32758 Detmold
 Germany

www.weidmueller.com

Drawings

Miscellaneous



Type codes