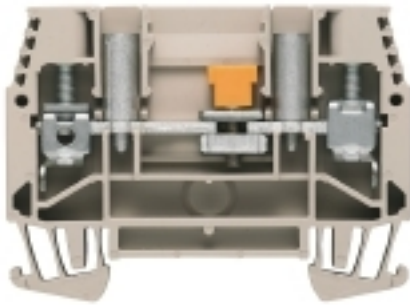


**W-Series  
WTL 6/1/STB**

**Weidmüller Interface GmbH & Co. KG**  
Klingenbergstraße 26  
D-32758 Detmold  
Germany  
Fon: +49 5231 14-0  
Fax: +49 5231 14-292083  
www.weidmueller.com

**Product image****Current and voltage transformer wiring**

Our test disconnect terminal blocks featuring spring and screw connection technology allow you to create all the important converter circuits for measuring current, voltage and power in a safe and sophisticated way.

**General ordering data**

Type	WTL 6/1/STB
Order No.	<a href="#">1016900000</a>
Version	Test-disconnect terminal, Screw connection, 6 mm <sup>2</sup> , 630 V, 41 A, sliding, dark beige
GTIN (EAN)	4008 190029715
Qty.	50 pc(s).

**W-Series**  
**WTL 6/1/STB**

**Weidmüller Interface GmbH & Co. KG**  
 Klingenbergstraße 26  
 D-32758 Detmold  
 Germany  
 Fon: +49 5231 14-0  
 Fax: +49 5231 14-292083  
 www.weidmueller.com

**Technical data****Dimensions and weights**

Width	7.9 mm	Width (inches)	0.311 inch
Height	65 mm	Height (inches)	2.559 inch
Depth	47.5 mm	Depth (inches)	1.87 inch
Depth including DIN rail	48.5 mm	Net weight	23.92 g

**Temperatures**

Storage temperature, max.	40 °C	Storage temperature, min.	10 °C
Storage temperature	10 °C...40 °C	Continuous operating temp., min.	-50 °C
Continuous operating temp., max.	120 °C		

**Environmental Product Compliance**

REACH SVHC Lead 7439-92-1

**Material data**

Material	Wemid	Colour	dark beige
UL 94 flammability rating	V-0		

**System specifications**

Version	Screw connection, Spacer, With sockets, One end without connector	End cover plate required	Yes
Number of potentials	1	Number of levels	1
Number of clamping points per level	2	Number of potentials per tier	1
Levels cross-connected internally	No	PE connection	No
Rail	TS 35	N-function	No
PE function	No	PEN function	No

**Additional technical data**

Explosion-tested version	No	Number of similar terminals	1
Open sides	right	Type of mounting	Snap-on

**CSA rating data**

Certificate No. (CSA)	200039-1057876	Current size C (CSA)	45 A
Voltage size C (CSA)	600 V	Wire cross section max. (CSA)	8 AWG
Wire cross section min. (CSA)	20 AWG		

**W-Series**  
**WTL 6/1/STB**

**Weidmüller Interface GmbH & Co. KG**  
 Klingenbergstraße 26  
 D-32758 Detmold  
 Germany  
 Fon: +49 5231 14-0  
 Fax: +49 5231 14-292083  
 www.weidmueller.com

**Technical data****Conductors for clamping (rated connection)**

Blade size	0.8 x 4.0 mm	Clamping range, max.	10 mm <sup>2</sup>
Clamping range, min.	0.5 mm <sup>2</sup>	Clamping screw	M 3.5
Connection cross-section, stranded, max.	10 mm <sup>2</sup>	Connection cross-section, stranded, min.	1.5 mm <sup>2</sup>
Connection direction	on side	Gauge to IEC 60947-1	A5
Number of connections	2	Stripping length	12 mm
Tightening torque, max.	1.6 Nm	Tightening torque, min.	1 Nm
Torque level with DMS electric screwdriver	3	Type of connection	Screw connection
Wire connection cross section AWG, max.	AWG 8	Wire connection cross section AWG, min.	AWG 20
Wire connection cross section, finely stranded, max.	10 mm <sup>2</sup>	Wire connection cross-section, finely stranded with wire-end ferrules DIN 46228/1, max.	6 mm <sup>2</sup>
Wire connection cross-section, finely stranded with wire-end ferrules DIN 46228/1, min.	0.5 mm <sup>2</sup>	Wire connection cross-section, finely stranded with wire-end ferrules DIN 46228/4, max.	6 mm <sup>2</sup>
Wire connection cross-section, finely stranded with wire-end ferrules DIN 46228/4, min.	0.5 mm <sup>2</sup>	Wire connection cross-section, finely stranded, min.	0.5 mm <sup>2</sup>
Wire connection cross-section, solid core, max.	10 mm <sup>2</sup>	Wire connection cross-section, solid core, min.	0.5 mm <sup>2</sup>

**Dimensions**

TS 35 offset	30 mm
--------------	-------

**Disconnect terminals**

Cross-disconnect	without	Integral test socket	Yes
Slitting	sliding	Torque max. screw separator	0.7 Nm
Torque min. screw separator	0.5 Nm		

**Rating data**

Rated cross-section	6 mm <sup>2</sup>	Rated voltage	630 V
Rated current	41 A	Current at maximum wires	57 A
Volume resistance according to IEC 60947-7-x	0.78 mΩ	Power loss in accordance with IEC 60947-7-x	1.31 W
Rated impulse withstand voltage	6 kV	Pollution severity	3

**UL rating data**

Certificate No. (UR)	E60693	Conductor size Factory wiring max. (UR)	8 AWG
Conductor size Factory wiring min. (UR)	20 AWG	Conductor size Field wiring max. (UR)	8 AWG
Conductor size Field wiring min. (UR)	20 AWG	Current size C (UR)	45 A
Voltage size C (UR)	300 V		

**Classifications**

ETIM 6.0	EC000902	ETIM 7.0	EC000902
eClass 9.0	27-14-11-26	eClass 9.1	27-14-11-26
eClass 10.0	27-14-11-26	UNSPSC	30-21-18-11

**Data sheet**

**W-Series  
WTL 6/1/STB**

**Weidmüller Interface GmbH & Co. KG**  
 Klingenbergstraße 26  
 D-32758 Detmold  
 Germany  
 Fon: +49 5231 14-0  
 Fax: +49 5231 14-292083  
 www.weidmueller.com

**Technical data**

**Approvals**

Approvals



ROHS

Conform

**Downloads**

Approval/Certificate/Document of Conformity

- [CB Test Certificate](#)
- [CB Certificate](#)
- [EAC certificate](#)
- [DE\\_PT1004\\_20160418\\_993\\_ISSUE01.pdf](#)
- [Declaration of Conformity Terminals](#)

Engineering Data

[EPLAN, WSCAD, Zuken E3.S](#)

Engineering Data

[STEP](#)

User Documentation

[StorageConditionsTerminalBlocks](#)

**Safety note**

Safety notice

[Safety Information](#)

**Data sheet**

**W-Series**  
**WTL 6/1/STB**

**Weidmüller Interface GmbH & Co. KG**  
Klingenbergstraße 26  
D-32758 Detmold  
Germany  
Fon: +49 5231 14-0  
Fax: +49 5231 14-292083  
[www.weidmueller.com](http://www.weidmueller.com)

**Drawings**

