

## KLIPPON K1

Weidmüller Interfaces GmbH & Co. KG

Postfach 3030

32760 Detmold

Tel. +49 5231 14-0

Fax. +49 5231 14-2083

info@weidmueller.com

www.weidmueller.com

### Similar to illustration



The aluminium Klippon® K enclosures are suitable for use in an extremely wide range of different areas. Various components can be installed inside the enclosures, and will benefit in particular from the high temperature resistance, the excellent IP protection and the good impact resistance.

No matter what kind of application the customer is planning, Weidmüller is able to provide a wide range of aluminium enclosures precisely fitting the customer's requirements.

Klippon® K enclosures for hazardous areas are available on request.

Our extensive product range offers the following advantages:

- Available in two surface finishes: natural and powder-coated (RAL 7001)
- With chloroprene moulded seal as standard (silicone moulded seal optionally available)
- Standardised closure system with Torx slotted screw head for 19 enclosure sizes
- Mounting holes outside of the gasket area
- High IP protection classes: IP66, IP67 and IP68 according to DIN EN 60529
- Impact resistance of up to 7 (10) Joules
- The enclosures are approved according ATEX, IECEx, EAC, cULus, Russian Maritime Register and DNV GL as well as the empty enclosure standard.

- Suitable for railway applications according to EN 45545-2:2013
- Alloy is resistant to salt water
- Standardised distributor enclosures with threaded holes and a variety of terminal configurations

### General ordering data

Version	Klippon K (aluminium empty enclosure), Empty enclosure, Aluminium enclosure, Height: 70 mm, Width: 70 mm, Depth: 45 mm, Material: Aluminium AlSi12, untreated, silver
Order No.	<a href="#">0342000000</a>
Type	KLIPPON K1
GTIN (EAN)	4008190055448
Qty.	10 pc(s).
Unassembled to fit rail	<a href="#">1909980000</a>

## KLIPPON K1

Weidmüller Interfaces GmbH &amp; Co. KG

Postfach 3030

32760 Detmold

Tel. +49 5231 14-0

Fax. +49 5231 14-2083

info@weidmueller.com

www.weidmueller.com

## Technical data

## Dimensions and weights

Depth	45 mm	Depth (inches)	1.772 inch
Height	70 mm	Height (inches)	2.756 inch
Width	70 mm	Width (inches)	2.756 inch
Mounting dimension - height	42 mm	Mounting dimension - width	58 mm
Net weight	247.5 g		

## Temperatures

Operating temperature -40 °C...80 °C

## Environmental Product Compliance

REACH SVHC Lead 7439-92-1

## Cable glands, left

M12	1	M16	1
-----	---	-----	---

## Cable glands, right

M12	1	M16	1
-----	---	-----	---

## Cable glands, top/bottom

M12	2	M16	2
M20	1		

## Certificate numbers enclosure

Approval conditions	cULus, RMRS, DNV	Certificate No. (DNVGL)	TAE00002SM
Certificate No. (EAC)	C-DE.AB54.B.00251.19	Certificate No. (GERMLLOYD)	TAE00002SM
Certificate No. (MARITREG)	19.00108.272	Certificate no. (cULus)	E197061
Certificate no. Terminal Box (EAC)	C-DE.AD54.B.00251/19 Ind. Terminal Box	Certificate no., empty enclosure (EAC)	C-DE.HB07.B.00089/20
Declaration of Conformatiy No. (DoC LVD)	DE_PS2410_160412_001ISS01		

## General information

Access opening: height	63 mm	Access opening: width	63 mm
Areas of use	Process industry, Transportation, Marine engineering, Packaging industry, Harbour facilities, Machine construction	Enclosure attachment	Holes 4 mm
Flange plate	No	Impact resistance	10 J version standard
Integral fixing	Threaded holes M4	Lid	Yes
Lid attachment	M4 torx stainless steel screws with slot	Material	Aluminium AlSi12
Material thickness of cover	3 mm	Material thickness of enclosure	3.5 mm
Note: protection class	IP68 (t=72h, h=1m)	Number of lid screws	4
Operating temperature, max.	80 °C	Operating temperature, min.	-40 °C
Protection class (UL)	Type 4, Type 4x	Protection degree	IP66, IP67, IP68
Seal material	Chloroprene	Standards	EN 45545-2:2013
Surface finish	untreated	Torque for lid screws	2.5 Nm

Creation date May 30, 2022 9:39:00 AM CEST

Catalogue status 20.05.2022 / We reserve the right to make technical changes.

## KLIPPON K1

Weidmüller Interfaces GmbH &amp; Co. KG

Postfach 3030

32760 Detmold

Tel. +49 5231 14-0

Fax. +49 5231 14-2083

info@weidmueller.com

www.weidmueller.com

## Technical data

## horizontal assembly

WDU 2,5 / ZDU 2,5 / IDU 2,5	1x5	WDU 4 / ZDU 4	1x1*
-----------------------------	-----	---------------	------

## vertical assembly

WDU 2,5 / ZDU 2,5 / IDU 2,5	1x1*	WDU 4 / ZDU 4	1x1*
-----------------------------	------	---------------	------

## Classifications

ETIM 6.0	EC000261	ETIM 7.0	EC000261
ETIM 8.0	EC000261	ECLASS 9.0	27-18-01-01
ECLASS 9.1	27-18-92-90	ECLASS 10.0	27-18-01-01
ECLASS 11.0	27-18-01-01	ECLASS 12.0	27-18-01-01

## Approvals

Approvals



ROHS Conform

UL File Number Search E197061

## Downloads

Approval/Certificate/Document of Conformity	<a href="#">C-DE.A154.B.00251.19 Ind. Terminal Box</a> <a href="#">RUC-DE.BE02.B.00173</a> <a href="#">TAE00002SM</a> <a href="#">19.00108.272</a> <a href="#">EU Declaration of Conformity - Klippon K Empty Enclosures - DoC DE PS2410 160412 001ISS02</a> <a href="#">DoM Klippon K salt water resistance</a> <a href="#">DoM Klippon K EN 45545-2 2013 Railway</a>
Engineering Data	<a href="#">CAD data – STEP</a>
Engineering Data	<a href="#">EPLAN, WSCAD</a>
Tender specification	<a href="#">Klippon K1_0342000000_DE</a> <a href="#">Klippon K1_0342000000_EN</a>
User Documentation	<a href="#">Assembly guidelines - empty enclosures</a>
Catalogues	<a href="#">Catalogues in PDF-format</a>
Brochures	<a href="#">MB KLIPPON ENCL.TECN EN</a> <a href="#">FL RAILWAY 2014 EN</a> <a href="#">FL RAILWAY 2014 EN</a>

**KLIPPON K1**

**Weidmüller Interfaces GmbH & Co. KG**

Postfach 3030

32760 Detmold

Tel. +49 5231 14-0

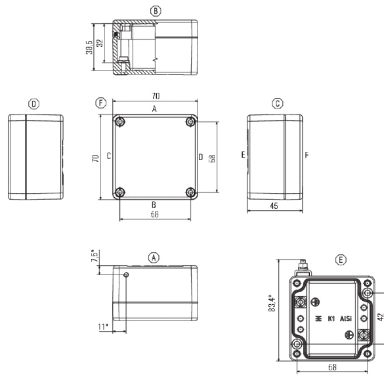
Fax. +49 5231 14-2083

info@weidmueller.com

www.weidmueller.com

**Drawings**

**Dimensioned drawing**



XX\* ref. list 6128940000